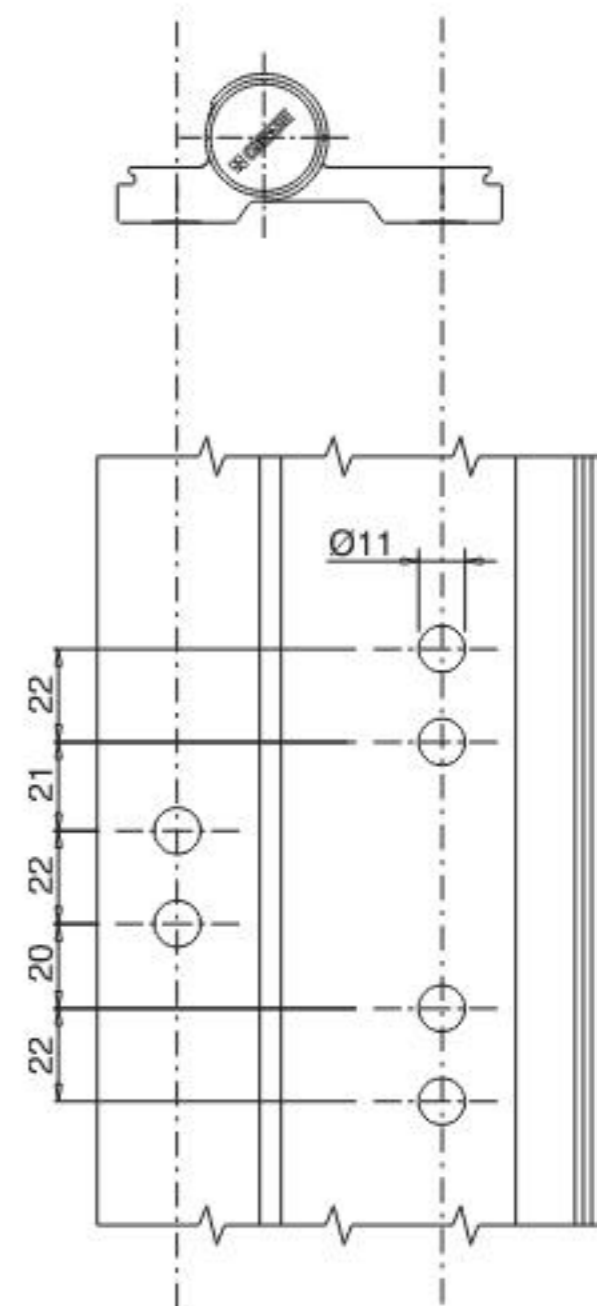
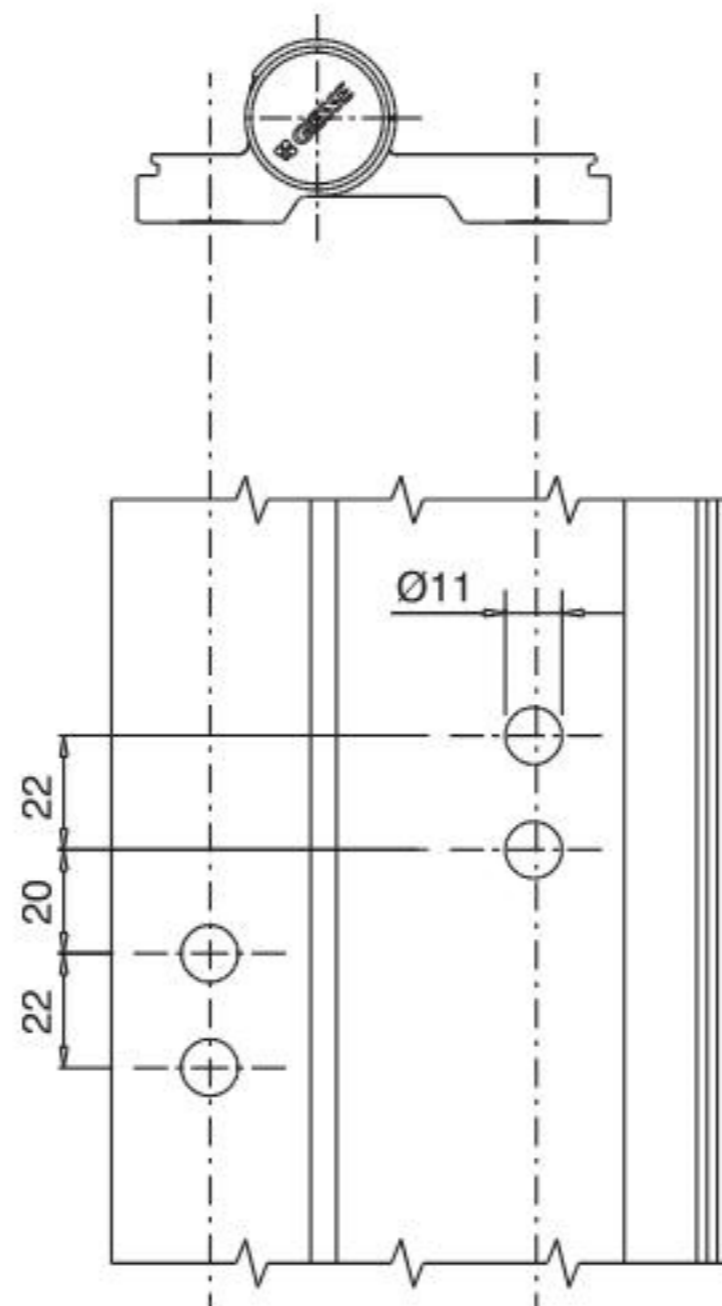
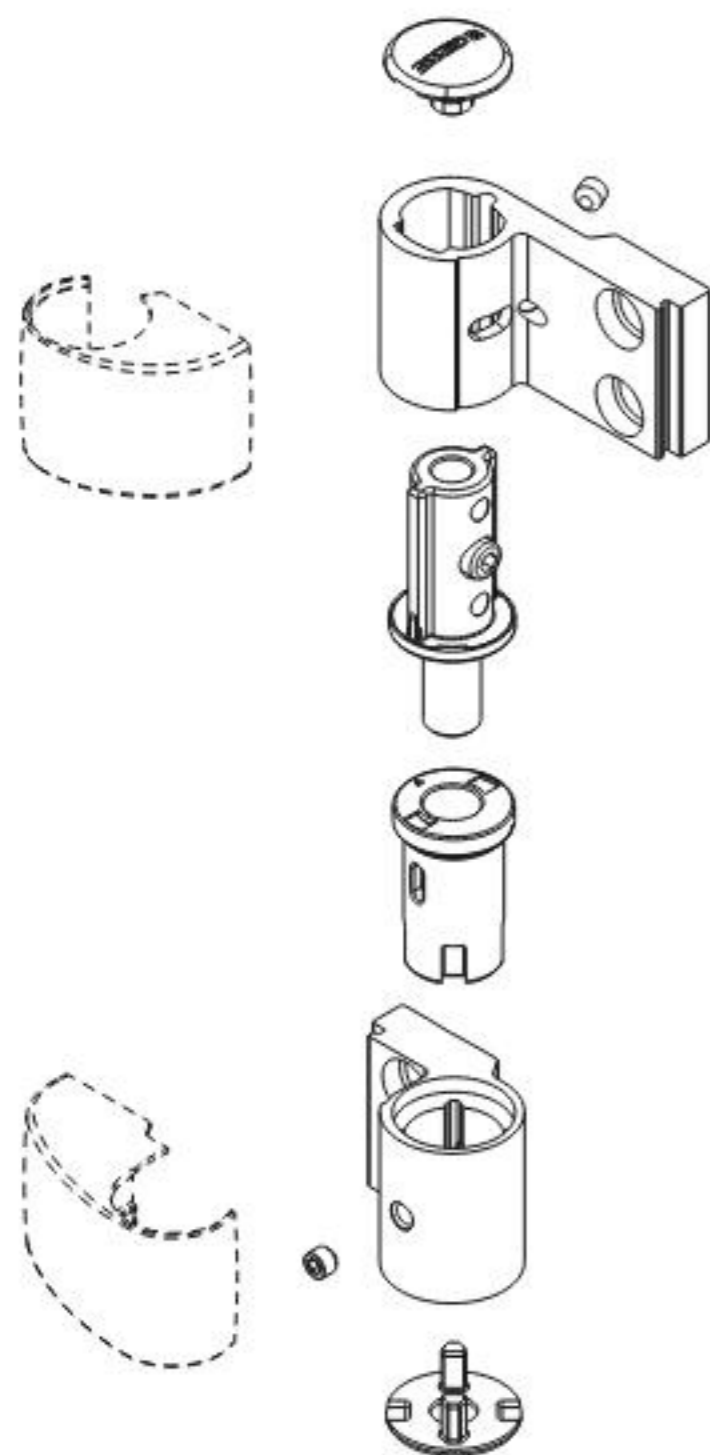


Preparation of profiles for 2-wing hinge

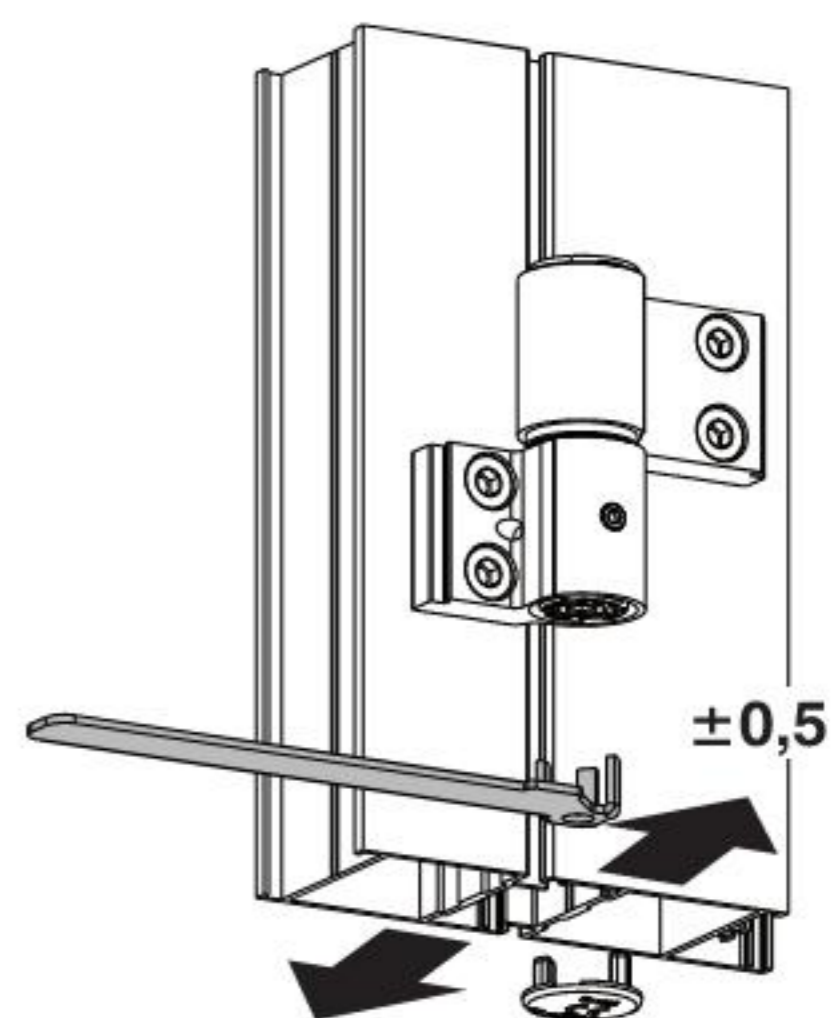
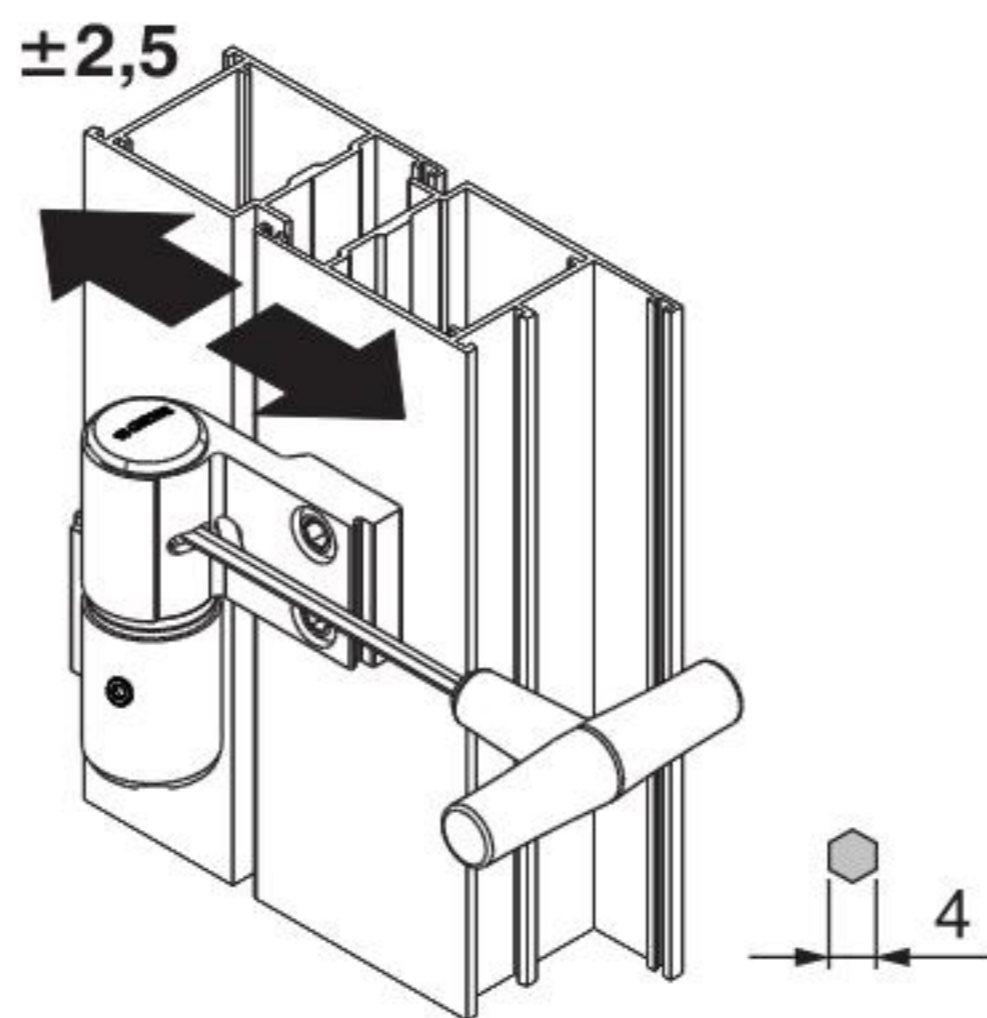
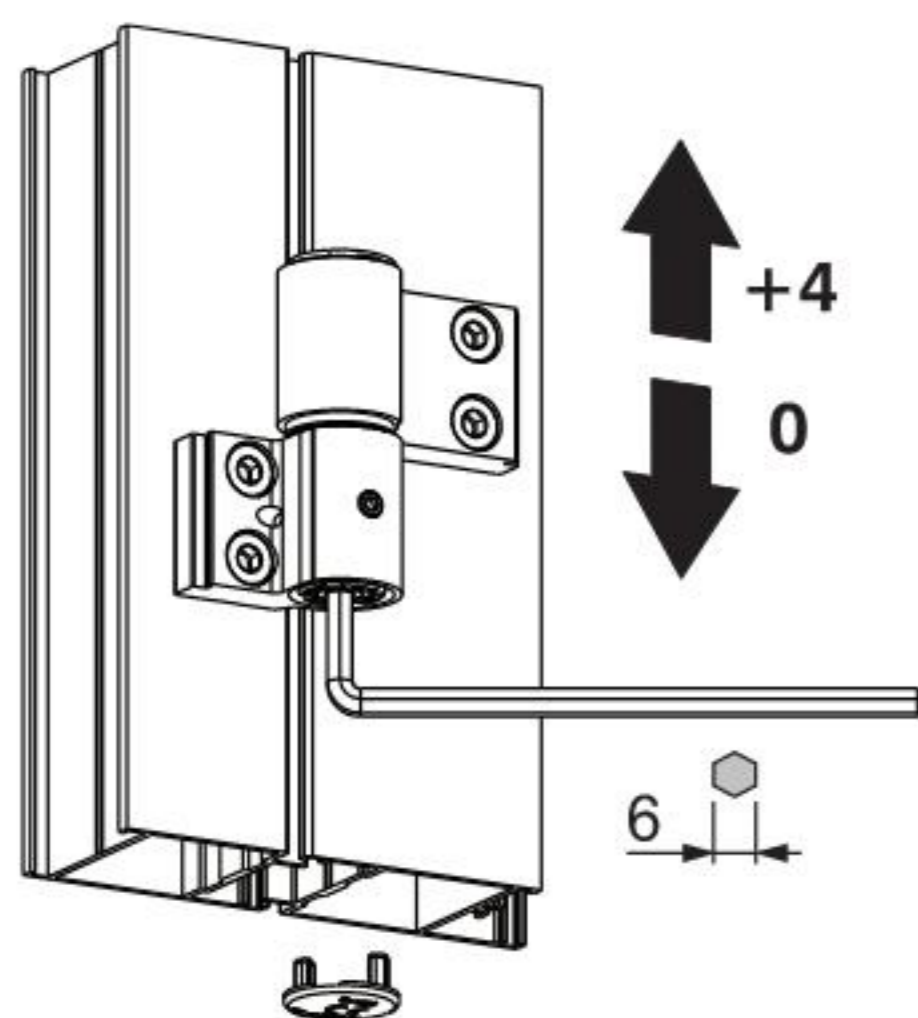
Preparation of profiles for 3-wing hinge



Height adjustment

Side adjustment

Compression adjustment



Steps with bushes

Steps without bushes

