

FLASH HINGES



Functions

Two-handed adjustable hinge for aluminium casement window and door fixtures with central gasket seal.

Technical Features

Supplied preassembled to enable fast installation and faultless positioning of the hinge on already assembled fixtures.

The burglar-proof pin, made of forged stainless steel, features a collar mid-way along its length that prevents any forcible attempt at removal.

Special fixing plates, preassembled with the hinge bodies (Giesse RAPID system), enable fast installation and faultless positioning of the hinge on already assembled fixtures.

The FLASH hinge is fitted extremely quickly to the sash and frame, even when the fixture has already been assembled.

The particular geometry of the hinge and of the plate enables swift and simple application to the already assembled fixture, and faultless positioning of the hinge when fixing the screws.

Adjustments

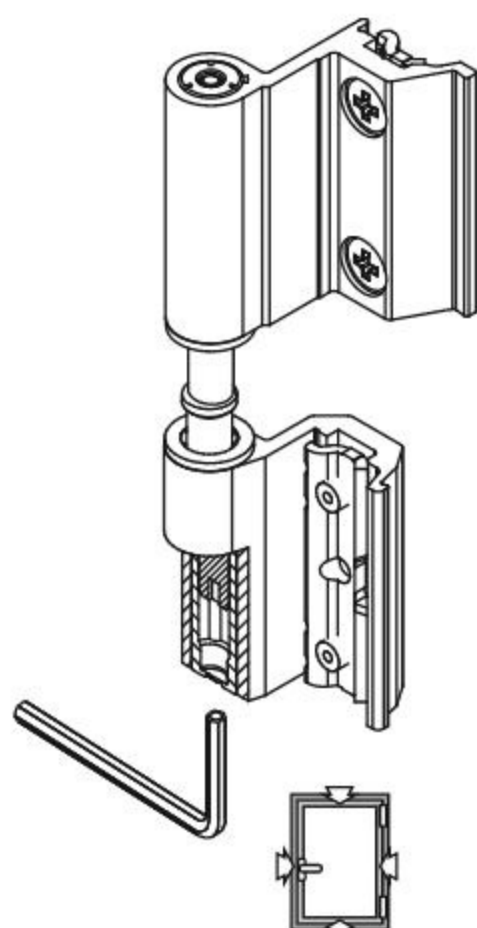
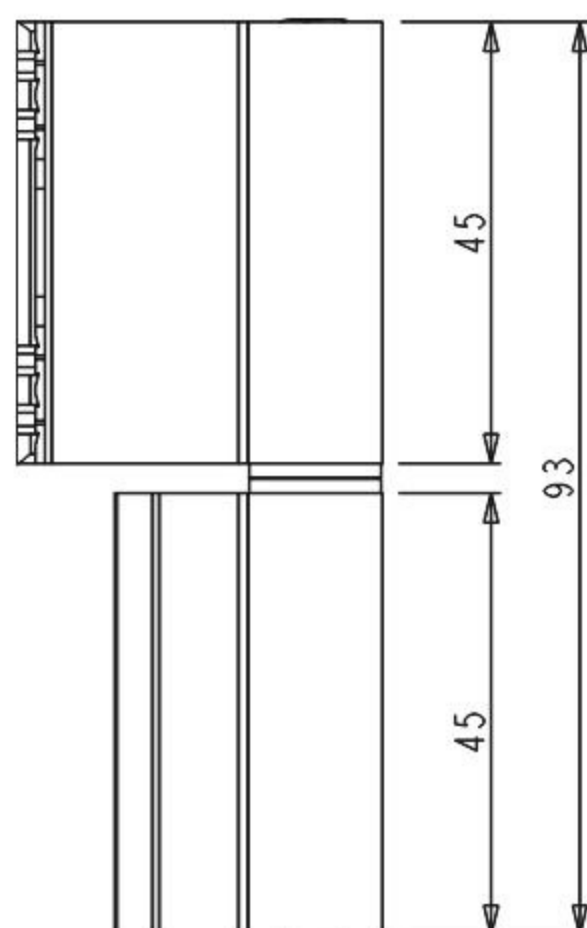
The hinge features an eccentric pin which, when adjusted by rotation in the respective bush, provides a compression and distance adjustment of ± 0.3 mm.

Materials

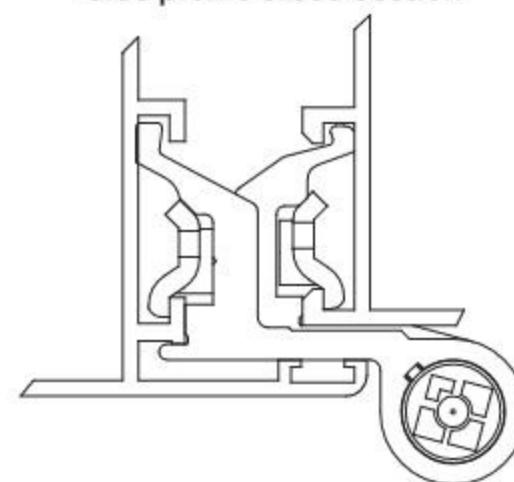
Extruded aluminium hinge bodies
Stainless steel pin, screws and fixing plates
Polyamide bushes

Capacities

With 2 FLASH BASE hinges: 75 kg
With 3 FLASH BASE hinges: 85 kg
assuming fixtures of 2000 mm height and 1000 mm width.



Side profile cross-section



third sash cross-section

