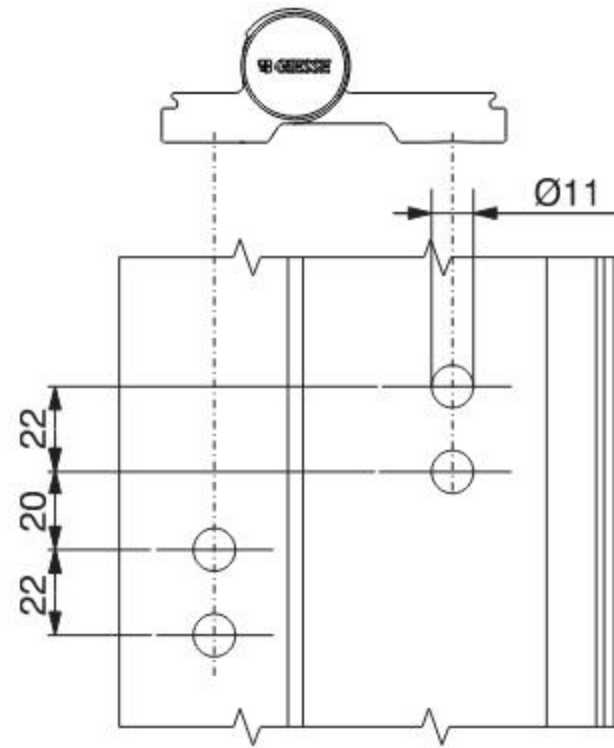
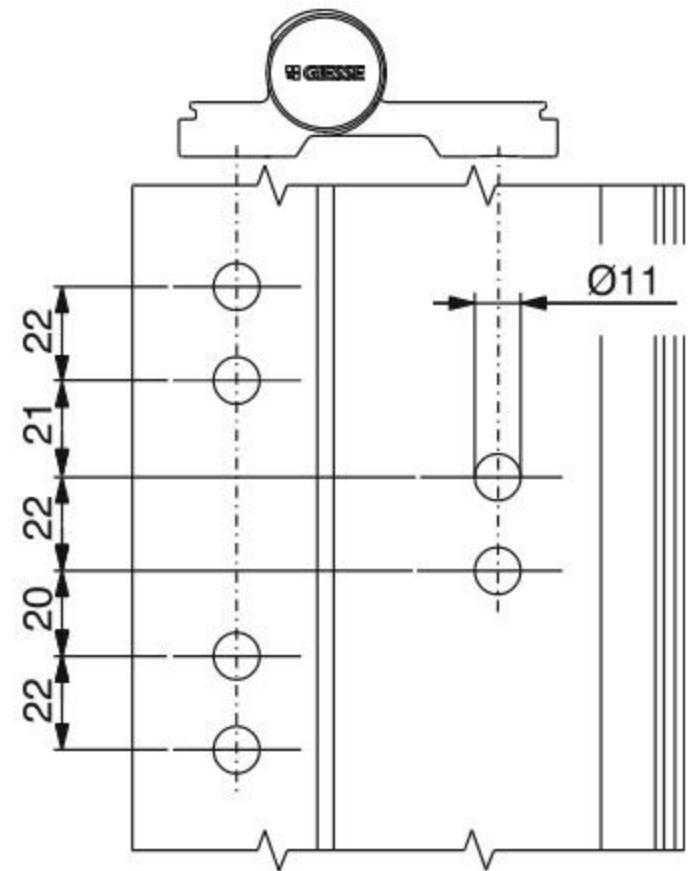


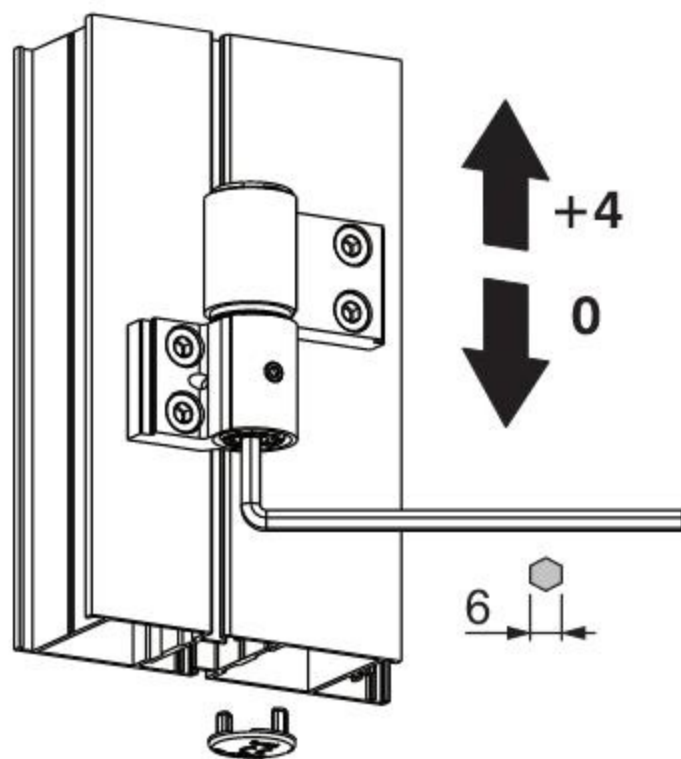
Preparation of profile for two-leaf hinge



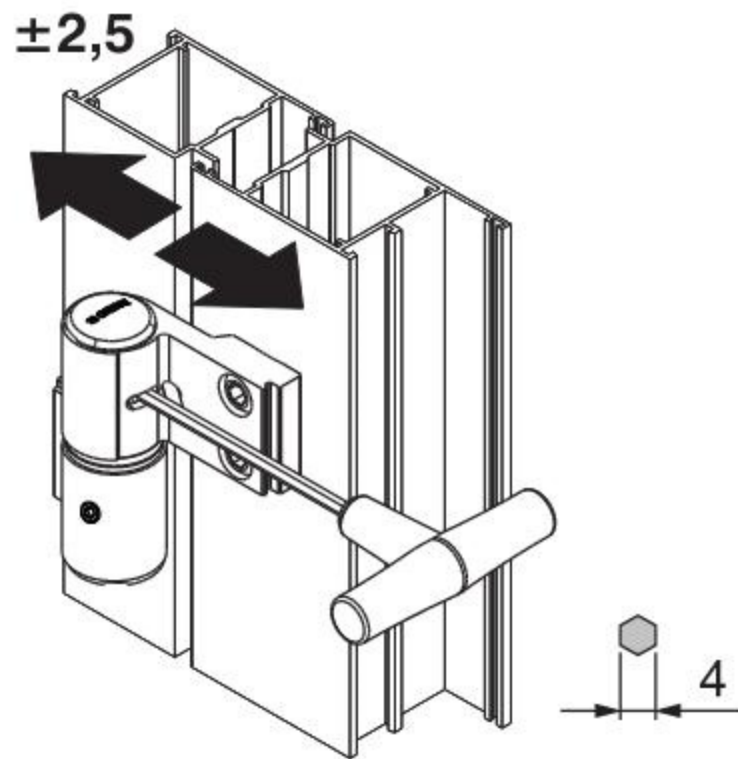
Machining on profile for three-wing hinge



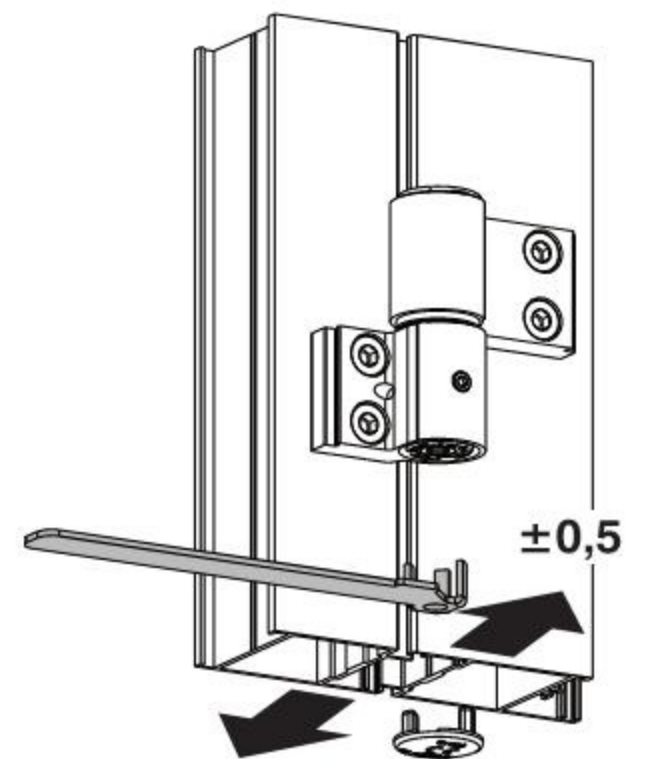
Height adjustment



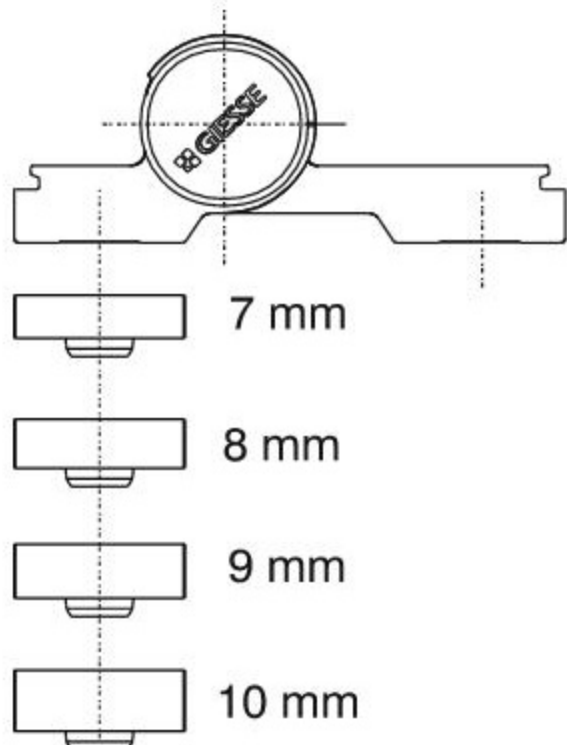
Side adjustment



Compression adjustment



Steps with bushes



Steps without bushes

