



**SUPRA 7 - ASIA MECHANISM "אסיה" דגם 7 - סופרה ידית**

**Functions**

Innovative mechanism system without washer which can be used for moving window sashes with different types of opening, having mechanisms compatible with 7 mm square pins and which can be combined with all Giese products with ASIA design.

**Technical Features**

The Supra 7 window handle with ASIA MECHANISM can be combined with the Giese Sash, Tilt-and-turn, Side Hung, Top Hung and Sliding movements and mechanisms which have a rotor compatible with 7 mm square pins.

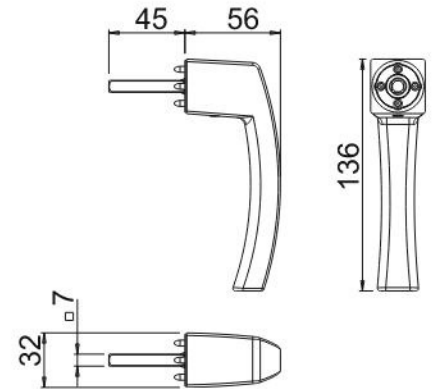
The product, due to its exclusive design, can be combined with all the other Giese products in the ASIA line intended for other types of sashes (door, handles for lift-and-slide etc.).

**Materials**

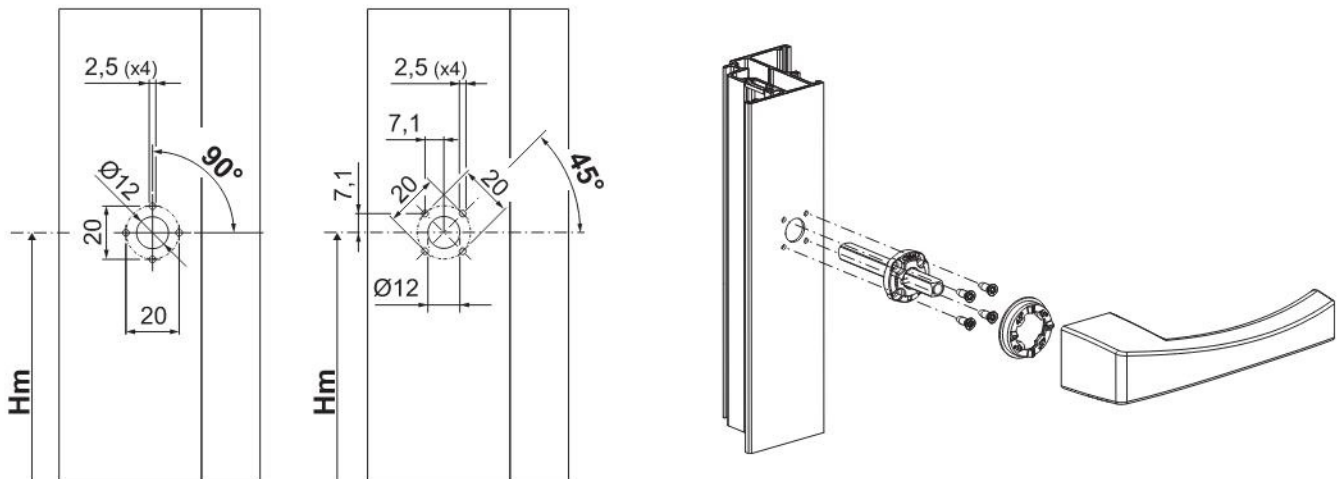
Handle in die-cast aluminium

Internal components made of GS SILVER PLUS zamak, zinc plated steel and white polyamide

Zinc plated steel fixing screws, with Eslock treatment



Fixing with 45° or 90° machining



Item code	Description	Note	Base Raw	Anodised Elox	Painted	Trend/Gold Brass	Pieces per pack
04153	SUPRA 7 - ASIA MECHANISM		X		X	X	10