



**SUPRA 7 - ARIA MECHANISM** "אריה" דגם 7 - סופרה 7 ידית

**Functions**

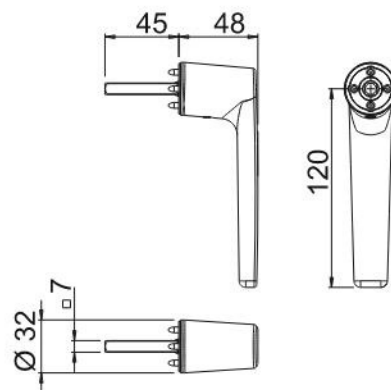
Innovative mechanism system without washer which can be used for moving window sashes with different types of opening, having mechanisms compatible with 7 mm square pins and which can be combined with all Giesse products with ARIA design.

**Technical Features**

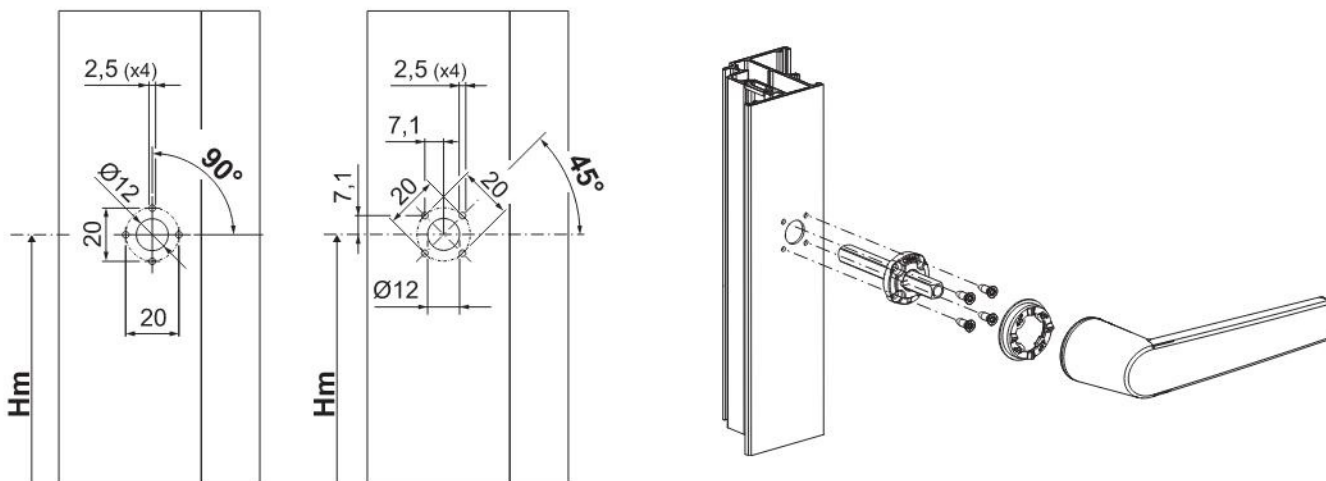
The Supra 7 window handle with ARIA MECHANISM can be combined with the Giesse Sash, Tilt-and-turn, Side Hung, Top Hung and Sliding movements and mechanisms which have a rotor compatible with 7 mm square pins.

**Materials**

Handle in die-cast aluminium  
Internal components made of GS SILVER PLUS zamak, zinc plated steel and white polyamide  
Zinc plated steel fixing screws, with Eslock treatment



Fixing with 45° or 90° machining



Item code	Description	Note	Base Raw	Anodised Elox	Painted	Trend/Gold Brass	Pieces per pack
04156	SUPRA 7 - ARIA MECHANISM		X		X	X	10