



**SUPRA 7 - PRIMA MECHANISM "פרימה" דגם 7 - סופרה**

**Functions**

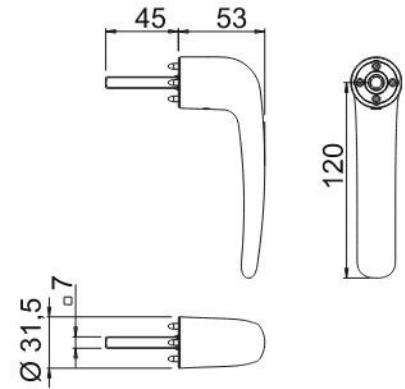
Innovative mechanism system without washer which can be used for moving window sashes with different types of opening, having mechanisms compatible with 7 mm square pins and which can be combined with all Giesse products with PRIMA design.

**Technical Features**

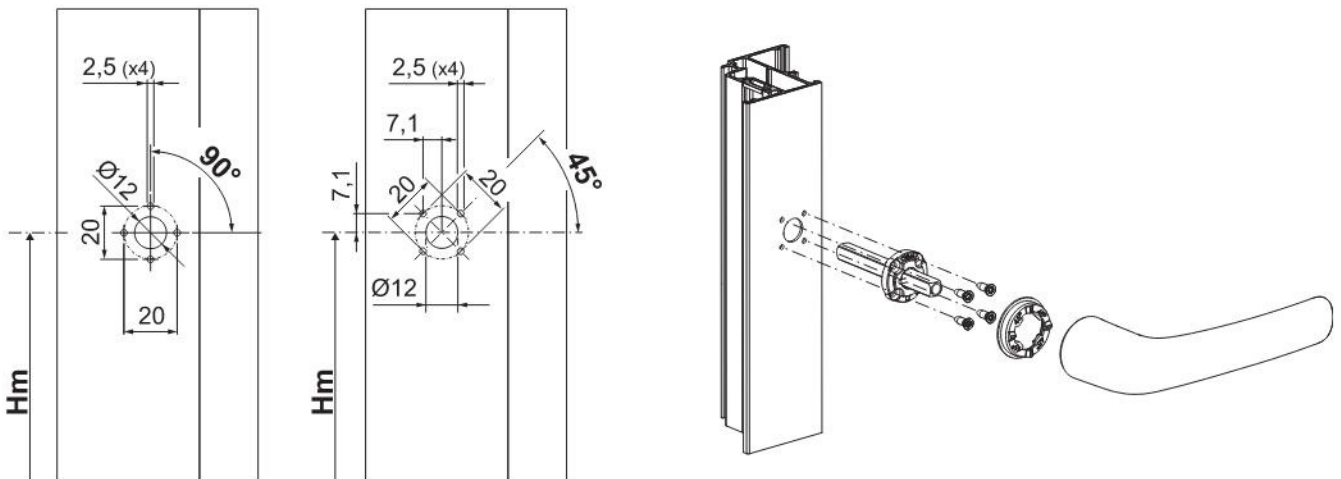
The Supra 7 window handle with PRIMA MECHANISM can be combined with the Giesse Sash, Tilt-and-turn, Side Hung, Top Hung and Sliding movements and mechanisms which have a rotor compatible with 7 mm square pins. The product, due to its exclusive design, can be combined with all the other Giesse products in the PRIMA line intended for other types of sashes (door, handles for lift-and-slide etc.).

**Materials**

Handle in die-cast aluminium  
Internal components made of GS SILVER PLUS zamak, zinc plated steel and white polyamide  
Zinc plated steel fixing screws, with Eslock treatment



Fixing with 45° or 90° machining



Item code	Description	Note	Base Raw	Anodised Elox	Painted	Trend/Gold Brass	Pieces per pack
04155	SUPRA 7 - PRIMA MECHANISM		X		X	X	10