

פלטקות התקנה לציר דומינה



Functions

Counterplate inserted in the hollow section of the tubular profile for fixing Domina HP, Domina HP Cover and Domina Classic hinges.

Technical Features

Available in version for 2 and 3 wing hinge, flush and with step, the kit comprises:

- two extruded aluminium fixing plates size 15x20 mm can be used on both sides to allow the greatest possible number of applications
- retaining springs
- M8x28 fixing screws with special hexagon head

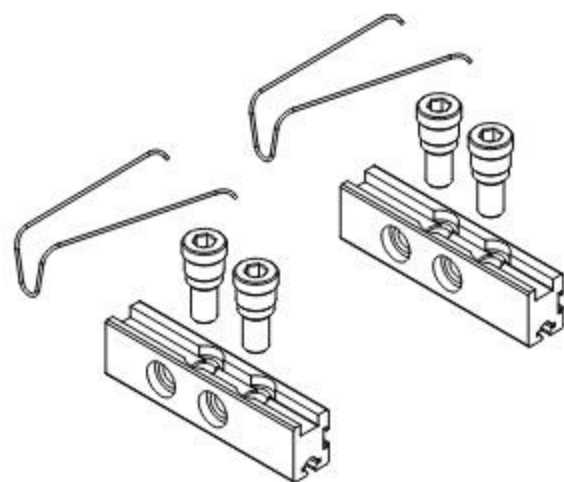
When fitting the hinge with counterplates, the profile must be prepared by drilling a $\varnothing 11$ mm hole with the aid of machining templates item 03237, item 05052, item 03286 (specifically for c/c distance 55.5) and item 05050 (specifically for corner hinges).

The frame mounted fixing plate of the 3-leaf version is longer than the plate supplied with the 2-leaf version, so that both of the two leaves can be secured using just the one component.

Materials

Extruded aluminium fixing plates
Retaining springs made of spring steel
Fixing screws, zinc-coated steel

פלטקות התקנה לגרסת ציר 2 כנפיים



פלטקות התקנה לגרסת ציר 3 כנפיים

