

ציר גשר 2 חלקים



Functions

Clamp hinge for lightweight windows and door fixtures made with channel profile.

Technical Features

Two-handed hinge suitable for lightweight door fixtures and bottom hung or projecting type windows.

Supplied preassembled (except the plate for fixing the hinge on the frame side) to enable fast installation and faultless positioning of the hinge on already assembled fixtures.

The special shape of fixing plate fitted to the sash (Giesse RAPID system) guarantees the firmest possible attachment of the hinge to the profile.

Removable pin allowing separation of sash from frame without detaching the hinge from the profile.

Materials

Extruded aluminium hinge bodies

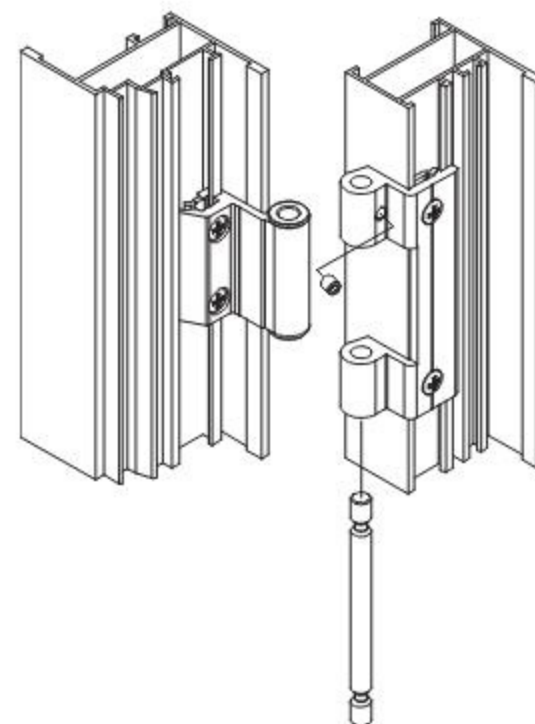
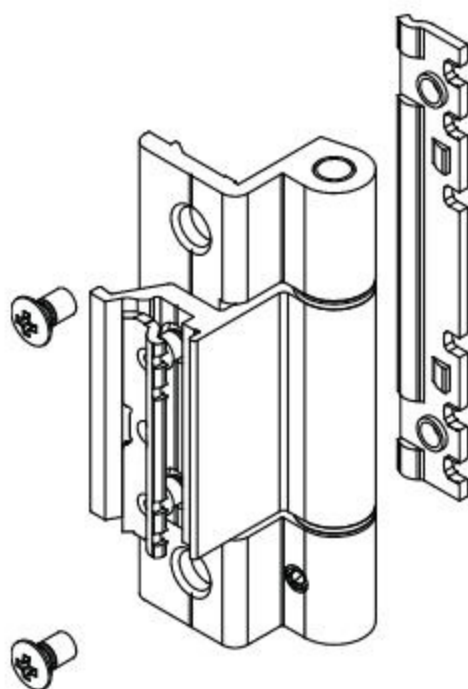
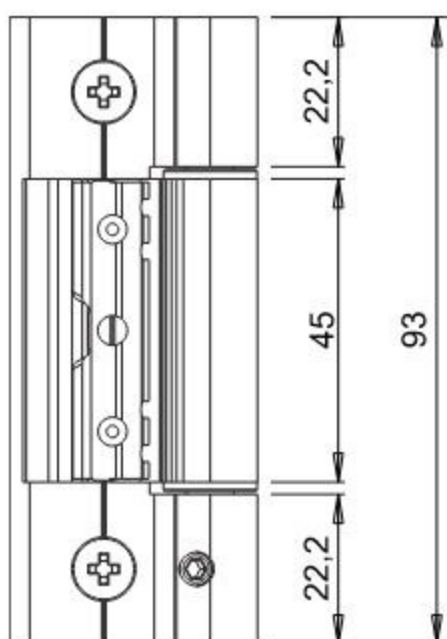
Pin, fixing plates, screws and grub screw, all stainless steel

Acetal resin bushes

Capacities

90 kg with 2 hinges

100 kg with 3 hinges



Item code	Description	PROFILE CROSS - SECTION	Third sash	Load capacity 2 hinges [kg]	Load capacity 3 hinges [kg]	Base Raw	Anodised Elox	Painted	Trend/Gold Brass	Pieces per pack
00600N	BRIDGE 2 HINGE	C001-C002		90	100	X	X	X	X	20
00601N	BRIDGE 2 HINGE		x	90	100	X	X	X	X	20
00602N	BRIDGE 2 HINGE	C007		90	100	X	X	X	X	20
00603N	BRIDGE 2 HINGE		x	90	100	X	X	X	X	20
00604N	BRIDGE 2 HINGE	C008		90	100	X	X	X	X	20
00605N	BRIDGE 2 HINGE		x	90	100		X	X	X	20
00606N	BRIDGE 2 HINGE	C009		90	100	X	X	X	X	20
00607N	BRIDGE 2 HINGE		x	90	100	X	X	X	X	20
00609N	BRIDGE 2 HINGE	C005		90	100	X	X	X		20

Note: For the «Third sash» hinges, check the correct series on Where-used.