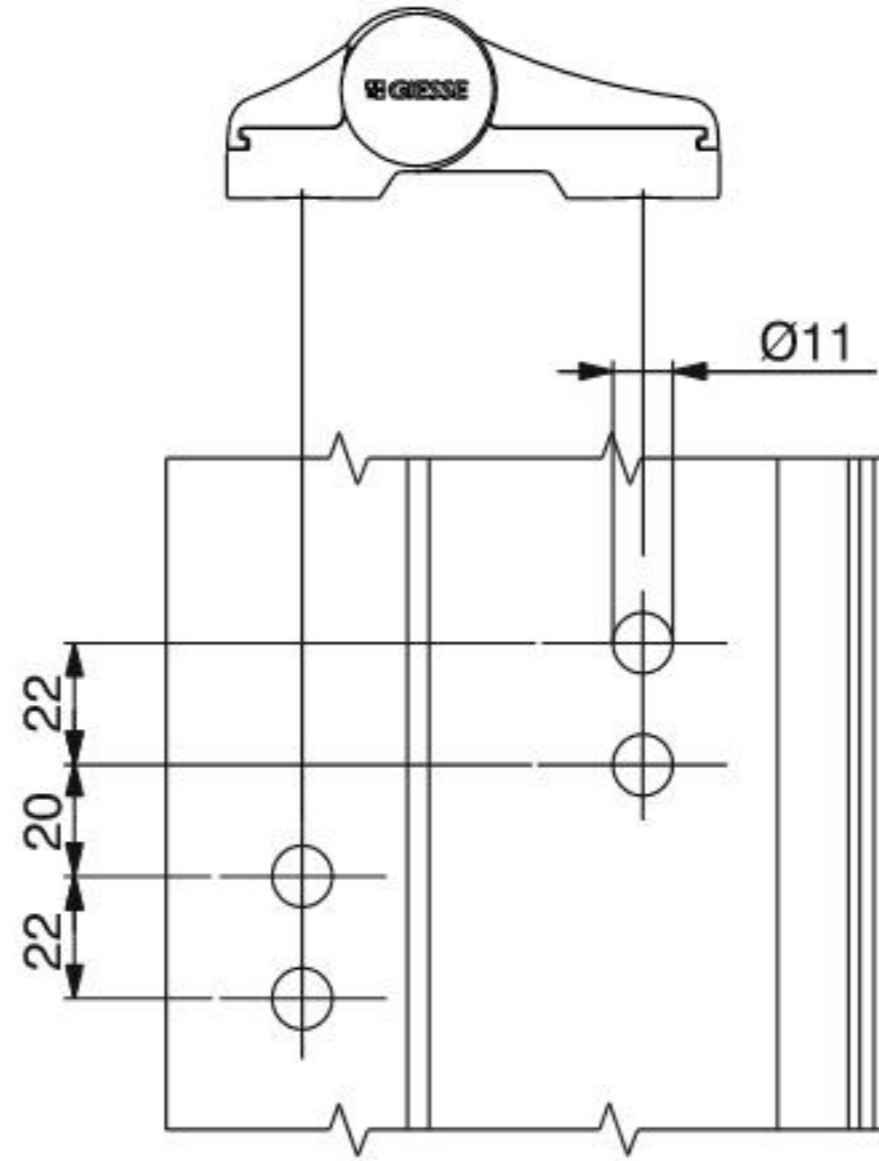
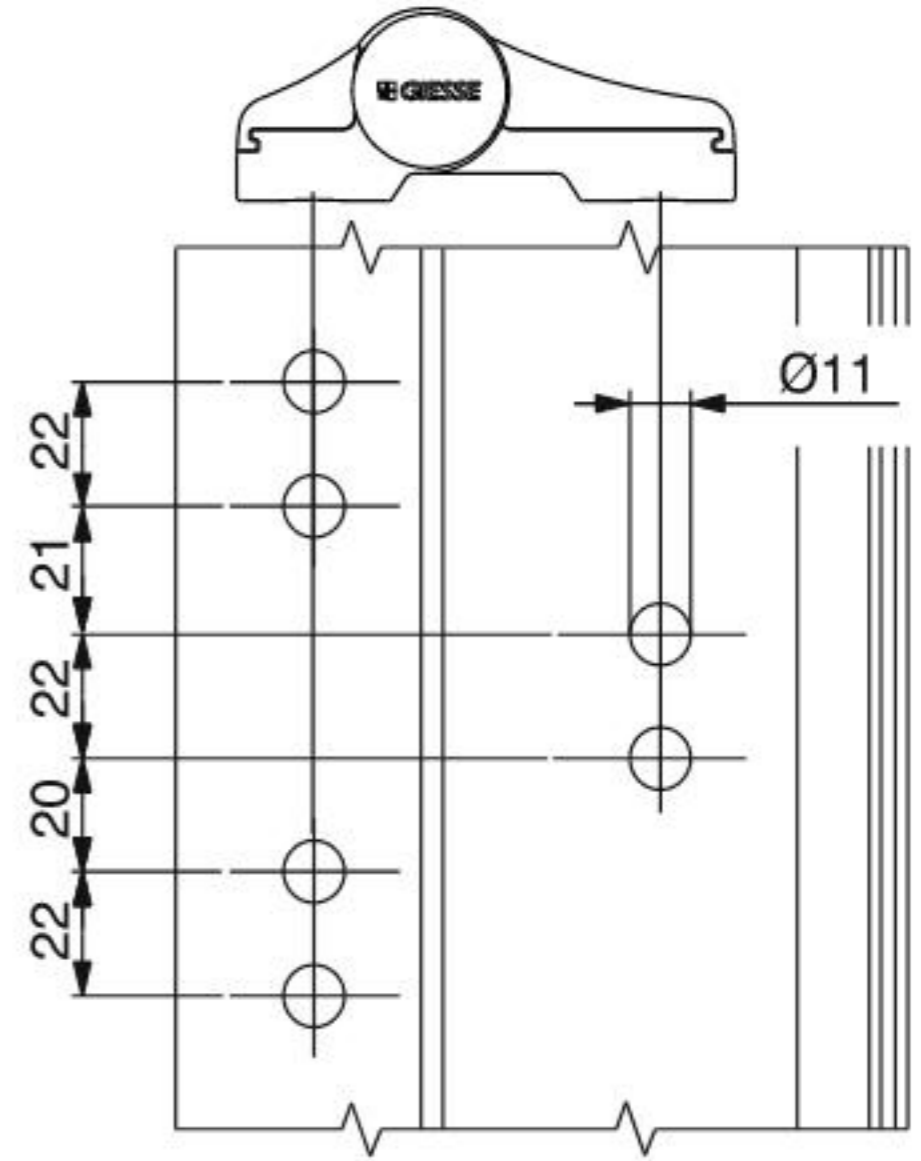


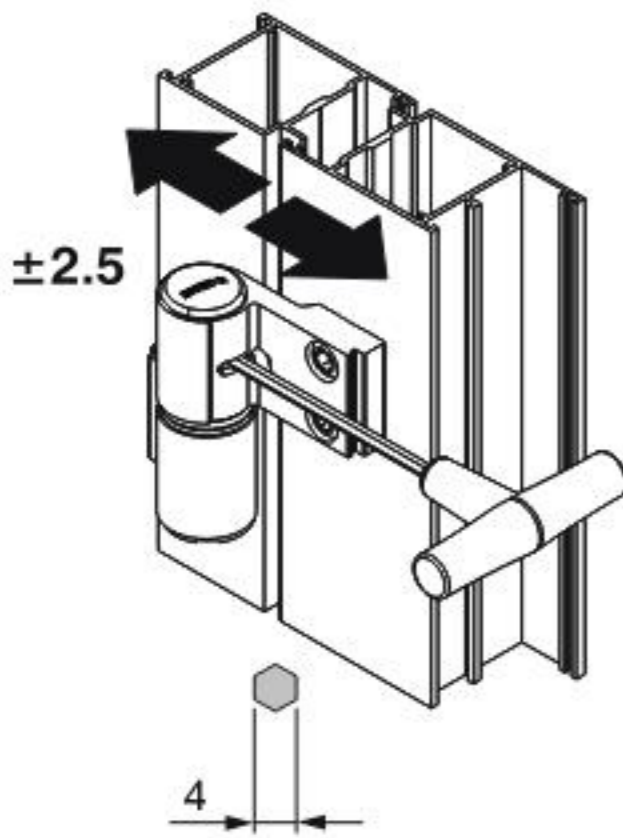
Machining on profile (2 wings)



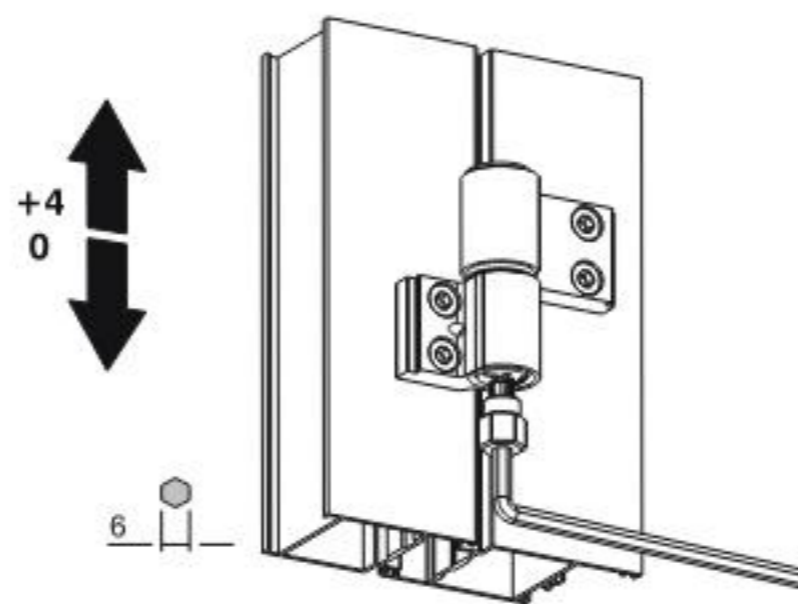
Machining on profile (3 wings)



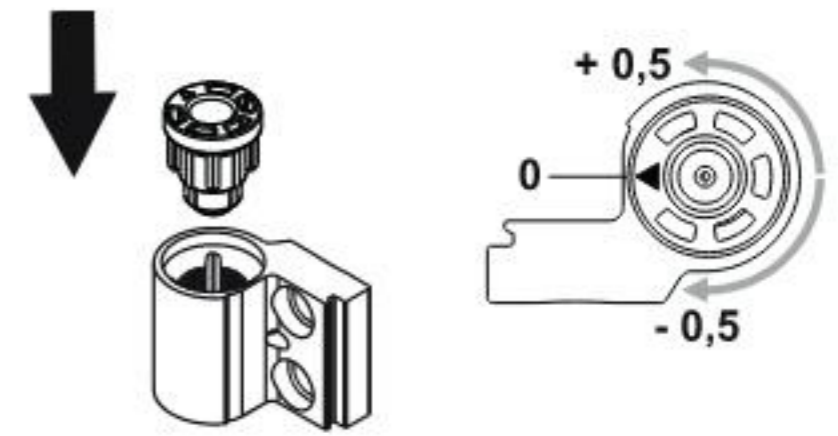
Side adjustment



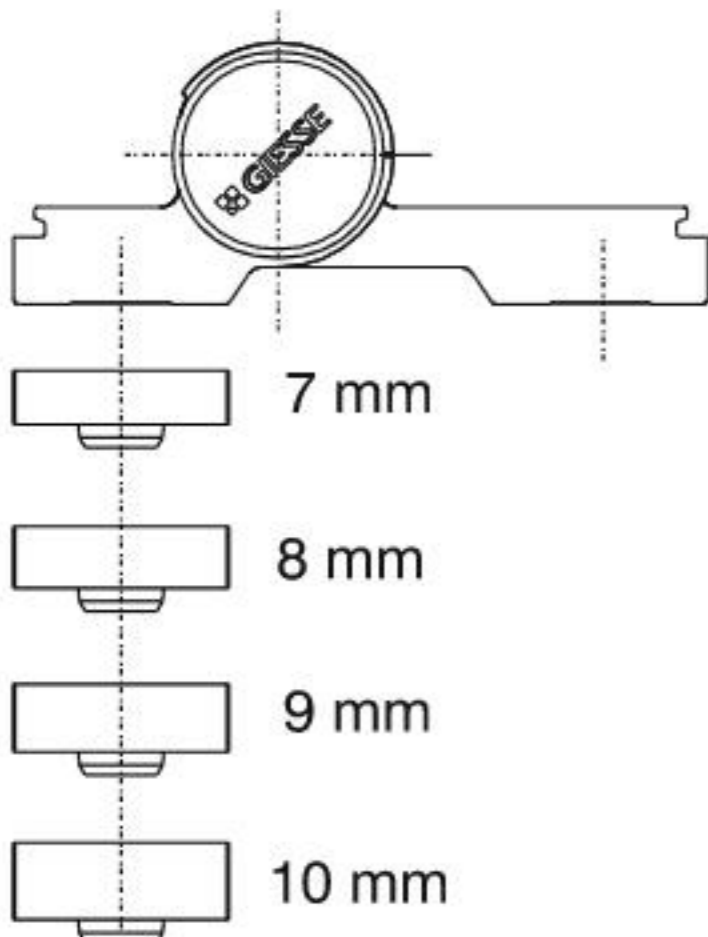
Height adjustment



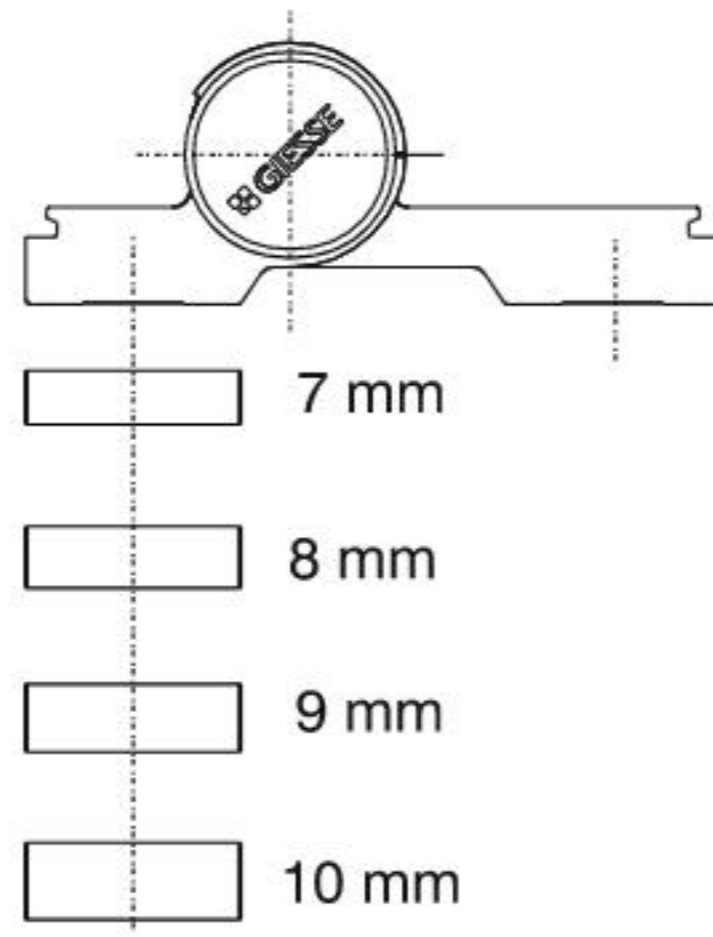
Compression adjustment



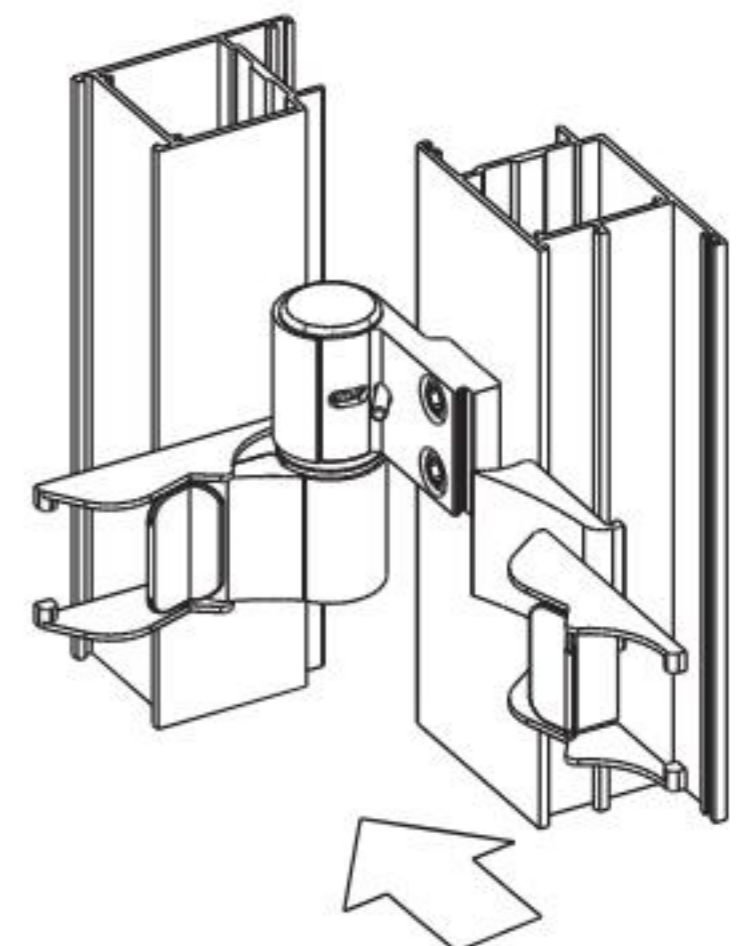
Steps with bushes



Steps without bushes



Use of locking clips



FLASH HINGES



Functions

Two-handed adjustable hinge for aluminium casement window and door fixtures with central gasket seal.

Technical Features

Supplied preassembled to enable fast installation and faultless positioning of the hinge on already assembled fixtures.

The burglar-proof pin, made of forged stainless steel, features a collar mid-way along its length that prevents any forcible attempt at removal.

Special fixing plates, preassembled with the hinge bodies (Giesse RAPID system), enable fast installation and faultless positioning of the hinge on already assembled fixtures.

The FLASH hinge is fitted extremely quickly to the sash and frame, even when the fixture has already been assembled.

The particular geometry of the hinge and of the plate enables swift and simple application to the already assembled fixture, and faultless positioning of the hinge when fixing the screws.

Adjustments

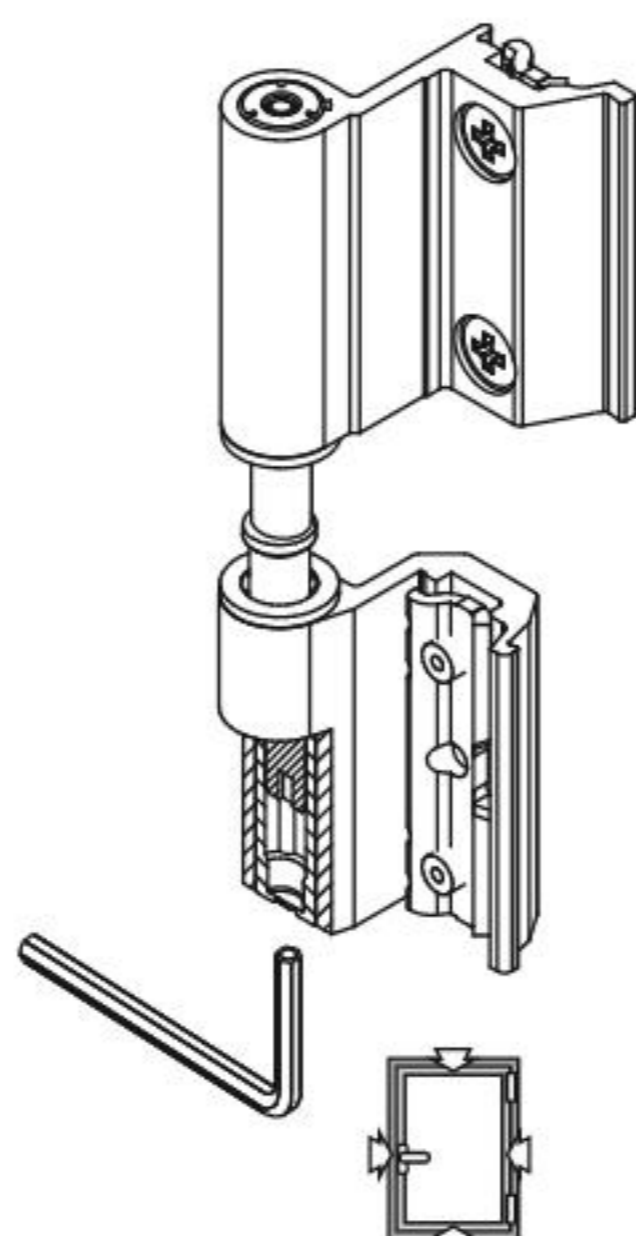
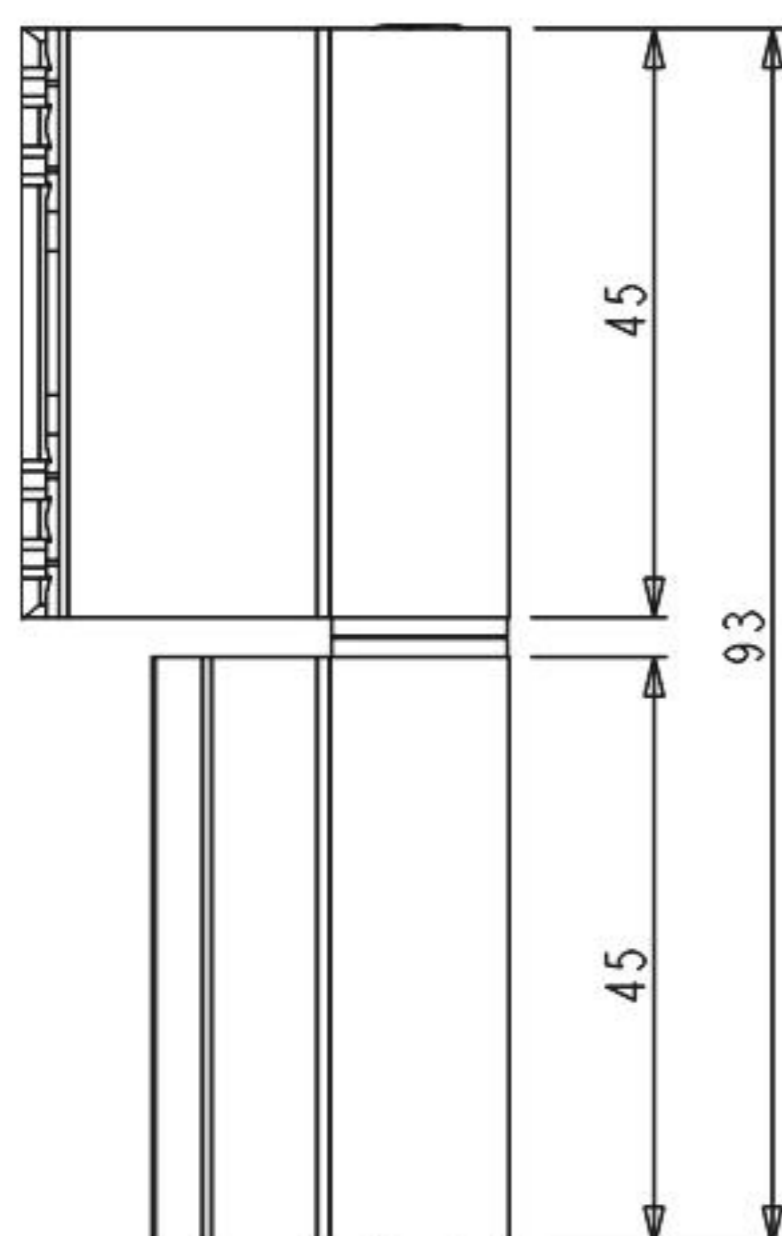
The hinge features an eccentric pin which, when adjusted by rotation in the respective bush, provides a compression and distance adjustment of ± 0.3 mm.

Materials

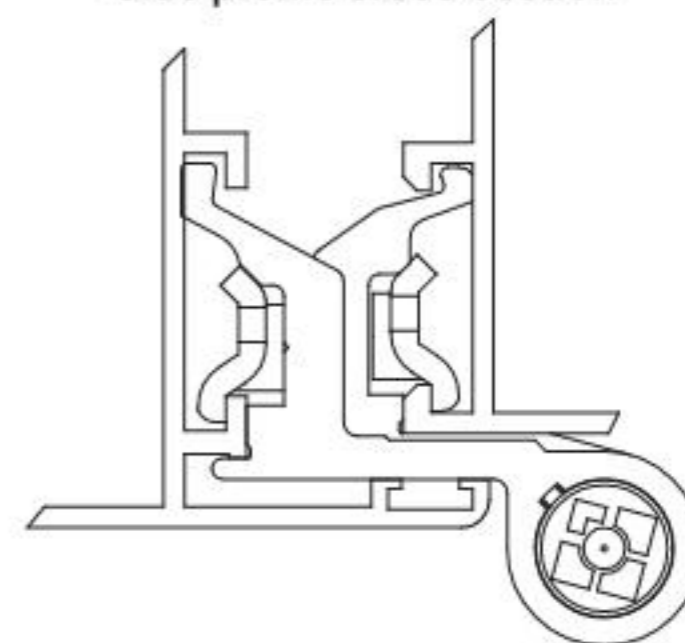
Extruded aluminium hinge bodies
Stainless steel pin, screws and fixing plates
Polyamide bushes

Capacities

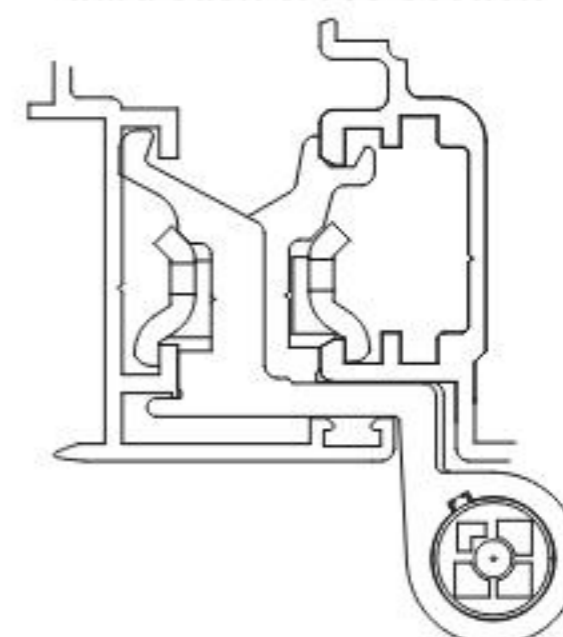
With 2 FLASH BASE hinges: 75 kg
With 3 FLASH BASE hinges: 85 kg
assuming fixtures of 2000 mm height and 1000 mm width.



Side profile cross-section



third sash cross-section



ציר גשר 2 חלקים



Functions

Clamp hinge for lightweight windows and door fixtures made with channel profile.

Technical Features

Two-handed hinge suitable for lightweight door fixtures and bottom hung or projecting type windows.

Supplied preassembled (except the plate for fixing the hinge on the frame side) to enable fast installation and faultless positioning of the hinge on already assembled fixtures.

The special shape of fixing plate fitted to the sash (Giesse RAPID system) guarantees the firmest possible attachment of the hinge to the profile.

Removable pin allowing separation of sash from frame without detaching the hinge from the profile.

Materials

Extruded aluminium hinge bodies

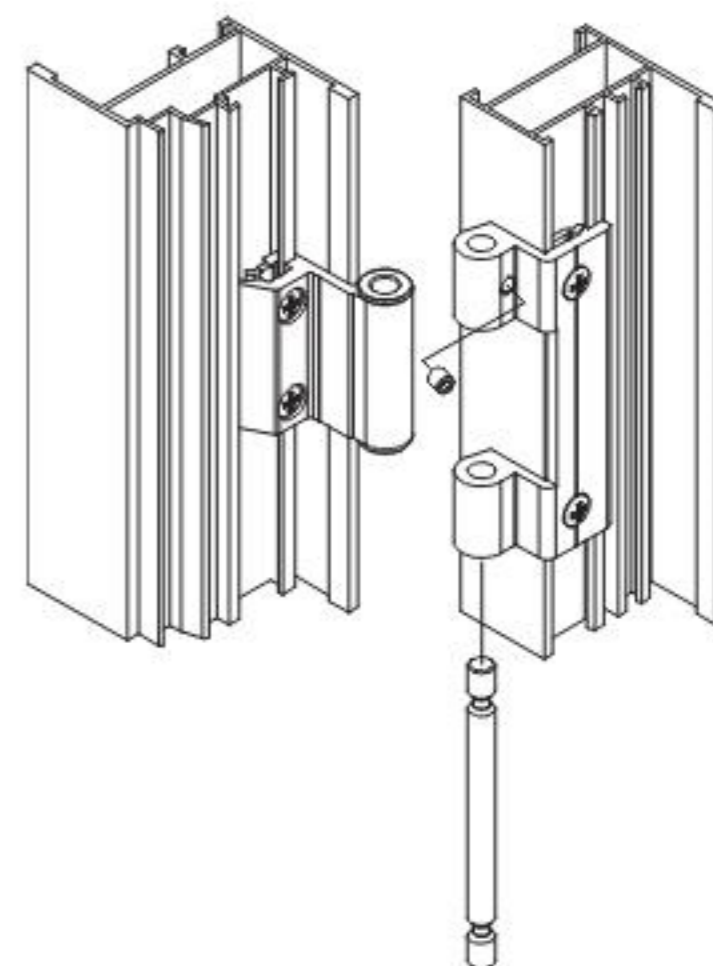
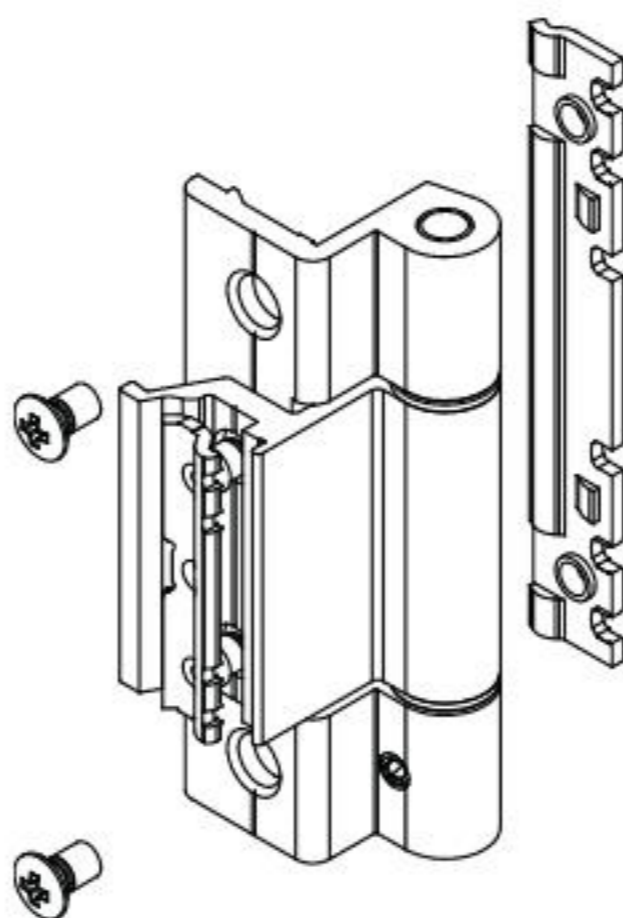
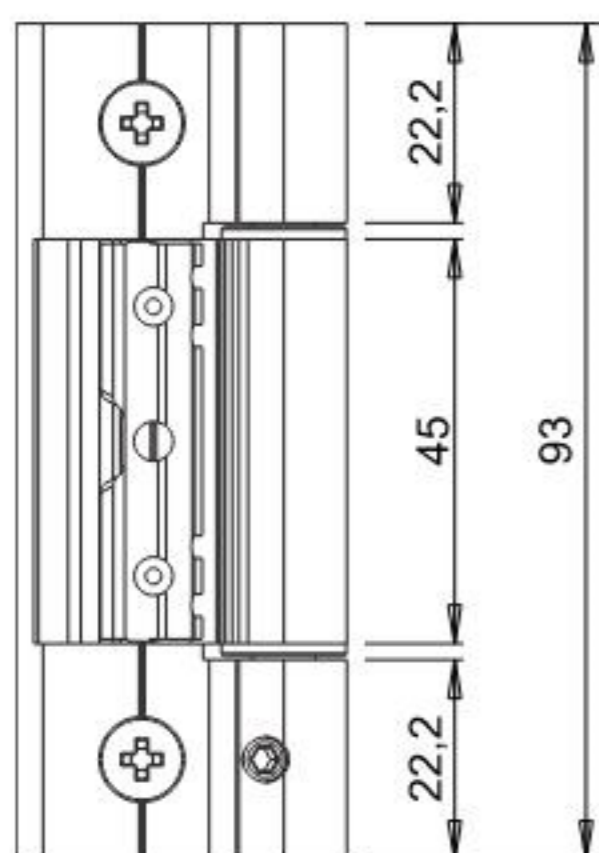
Pin, fixing plates, screws and grub screw, all stainless steel

Acetal resin bushes

Capacities

90 kg with 2 hinges

100 kg with 3 hinges



Item code	Description	PROFILE CROSS - SECTION	Third sash	Load capacity 2 hinges [kg]	Load capacity 3 hinges [kg]	Base Raw	Anodised Elox	Painted	Trend/Gold Brass	Pieces per pack
00600N	BRIDGE 2 HINGE	C001-C002		90	100	X	X	X	X	20
00601N	BRIDGE 2 HINGE		x	90	100	X	X	X	X	20
00602N	BRIDGE 2 HINGE	C007		90	100	X	X	X	X	20
00603N	BRIDGE 2 HINGE		x	90	100	X	X	X	X	20
00604N	BRIDGE 2 HINGE	C008		90	100	X	X	X	X	20
00605N	BRIDGE 2 HINGE		x	90	100		X	X	X	20
00606N	BRIDGE 2 HINGE	C009		90	100	X	X	X	X	20
00607N	BRIDGE 2 HINGE		x	90	100	X	X	X	X	20
00609N	BRIDGE 2 HINGE	C005		90	100	X	X	X		20

Note: For the «Third sash» hinges, check the correct series on Where-used.

גרציאני תעשיות בע"מ

דפי מידע 2020



ציר "דומינה" קלאסיק



Functions

Surface mounting hinge, 2 or 3 wing version for heavy doors made of aluminium.

Adjustable in three directions.

For combination with counterplate kit, with expansion dowels for single sealed unit profiles and with M12 direct fixing screw for thermal break profiles.

Technical Features

Hinge suitable for doors subject to intensive use (use category 4* - heavy duty use) with high resistance to fatigue and wear (durability grade 7* - 200,000 test cycles).

Ideal for the assembly of doors characterized by large dimensions, heavy weight and intensive use.

Adjustments in three directions:

- micrometric side adjustment (± 2.5 mm) with door installed, obtainable by turning the adjustment screw located in the sash hinge cartridge
- micrometric vertical adjustment (0-4 mm) with door installed, obtainable by turning the grub screw located at the bottom of the frame part of the hinge, using the special adapter supplied with the product
- compression adjustment (± 0.5 mm), obtainable by turning the eccentric bush in the frame part of the hinge to the angular position required.

Screw-cover plates fixed to hinge using pull screws driven from the inside (for locking purposes use clip item 05051), removable only with the sash open (tamper-proof).

For combination with counterplate kit, with expansion dowels for single sealed unit profiles and with M12 direct fixing screws for thermal break profiles.

Profile can be prepared with $\varnothing 11$ mm holes (for all fixing systems) using drill templates item 03237 and item 05052

When applied to a non-flush profile, the hinge is fitted in combination with shim steps selected according to the type of fixing used for the profile:

- steps with centering bushes: for counterplate kit and expansion dowels for single sealed unit profile
- steps without centering bushes: for M12 direct fixing screws.

* Complies with EN 1935

Materials

Extruded aluminium hinge bodies and screw-cover plates

Zamak pin cartridge with GS Silver Plus finish (up to 500 h corrosion resistance)

$\varnothing 11$ pin, stainless steel

Side adjustment screw made of treated steel ensuring high resistance to corrosion

Eccentric cartridge, cover ring and vertical set-screw, acetal resin

Screw concealer plate fixing screws, zinc-coated steel

Polyamide concealer caps

Capacities

Up to 120 kg with two 2-wing hinges

Up to 140 kg with three 2-wing hinges

Up to 160 kg with two 3-wing hinges

Up to 180 kg with three 3-wing hinges

CE Mark in compliance EN1935

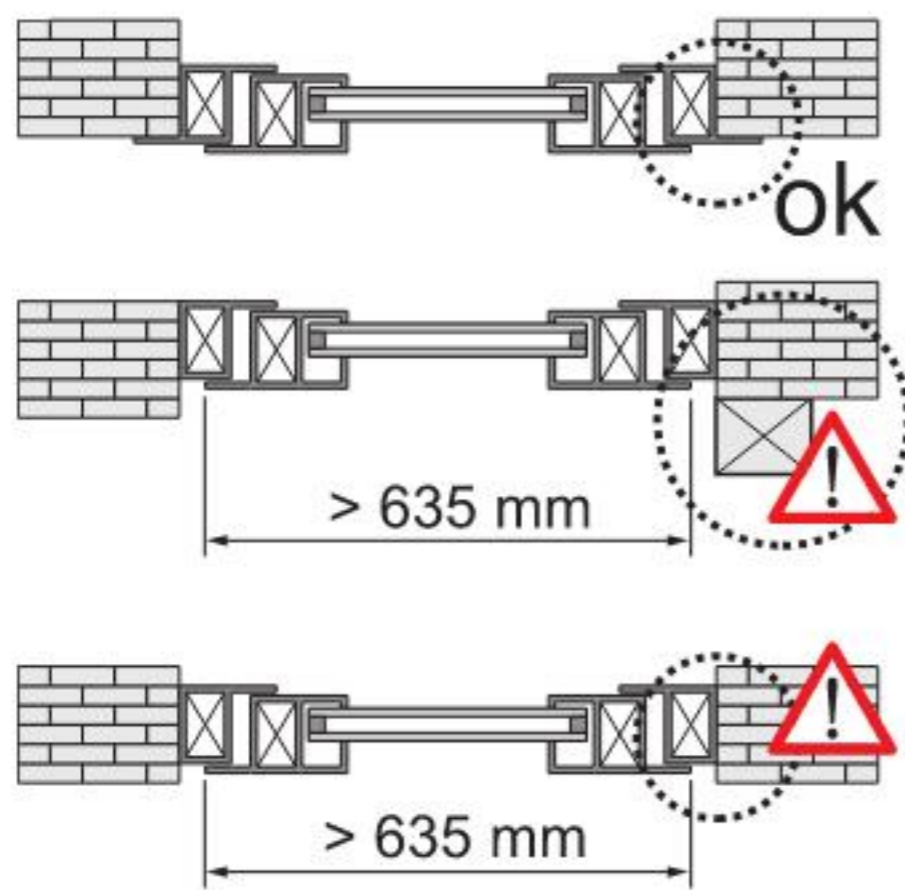
Table of maximum glass thickness [mm]

2500	33	27	23	20	18	16	15	14	13	12	11	
2400	33	27	23	20	18	16	15	14	13	12	11	
2300	34	28	24	21	19	17	16	14	13	12	11	
2200	36	30	25	22	20	18	16	15	14	13	12	
2100	37	31	27	23	21	19	17	16	14	13	12	
2000	39	33	28	25	22	20	18	16	15	14	13	
1900	41	34	30	26	23	21	19	17	16	15	14	
1800	44	36	31	27	24	22	20	18	17	16	15	
1700	46	38	33	29	26	23	21	19	18	16	15	
1600	49	41	35	31	27	25	22	20	19	17	15	
1500	50	44	37	33	29	26	24	22	20	17	15	
1400	50	47	40	35	31	28	25	23	20	17	15	
1300	50	50	43	38	34	30	27	24	20	17	15	
1200	50	50	47	41	36	33	28	24	20	17	15	
1100	50	50	50	45	40	34	28	24	20	17		
1000	50	50	50	49	42	34	28	24	20			
900	50	50	50	50	42	34	28	24				
800	50	50	50	50	42	34	28					
700	50	50	50	50	42	34						
	445	500	600	700	800	900	1000	1100	1200	1300	1400	1500

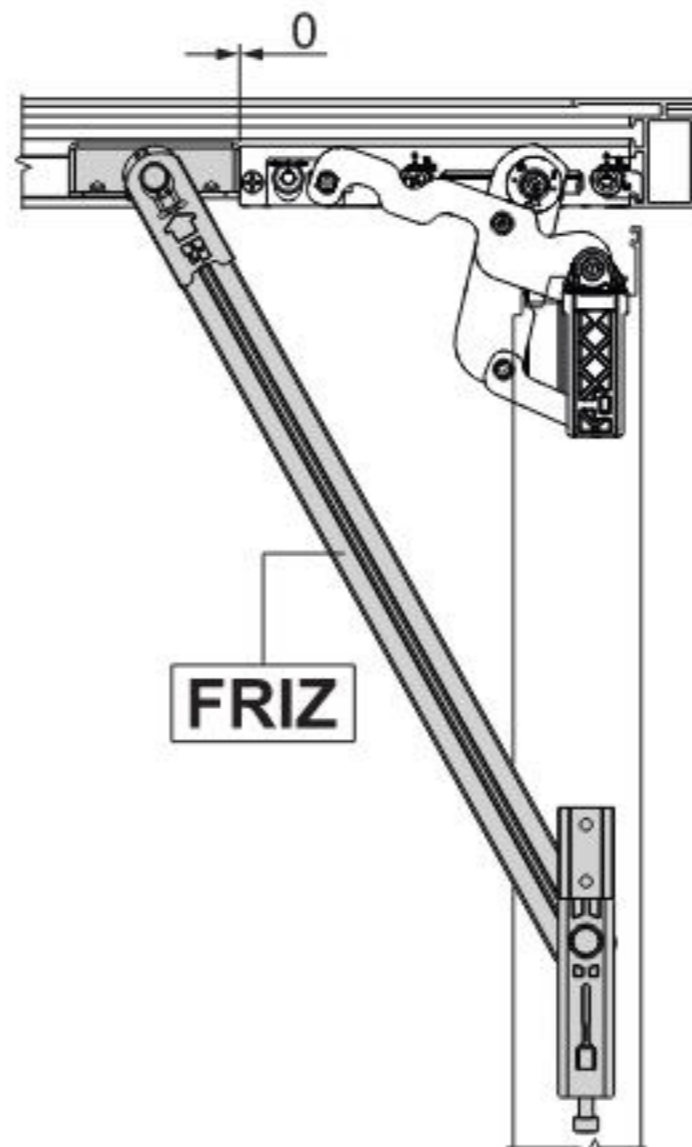
Table of maximum load capacity [kg]

2500	100	100	100	100	100	100	100	100	100	100	100	
2400	100	100	100	100	100	100	100	100	100	100	100	
2300	100	100	100	100	100	100	100	100	100	100	100	
2200	100	100	100	100	100	100	100	100	100	100	100	
2100	100	100	100	100	100	100	100	100	100	100	100	
2000	100	100	100	100	100	100	100	100	100	100	100	
1900	100	100	100	100	100	100	100	100	100	100	100	
1800	100	100	100	100	100	100	100	100	100	100	100	
1700	100	100	100	100	100	100	100	100	100	100	98	
1600	100	100	100	100	100	100	100	100	100	99	92	
1500	100	100	100	100	100	100	100	100	100	93	87	
1400	100	100	100	100	100	100	100	100	93	87	81	
1300	100	100	100	100	100	100	100	94	87	80	75	
1200	100	100	100	100	100	100	95	87	80	74	69	
1100	100	100	100	100	100	95	87	79	73	68		
1000	100	100	100	100	96	87	79	72	67			
900	100	100	100	98	87	78	71	65				
800	100	100	99	87	77	69	63					
700	100	100	87	76	67	61						
	445	500	600	700	800	900	1000	1100	1200	1300	1400	1500

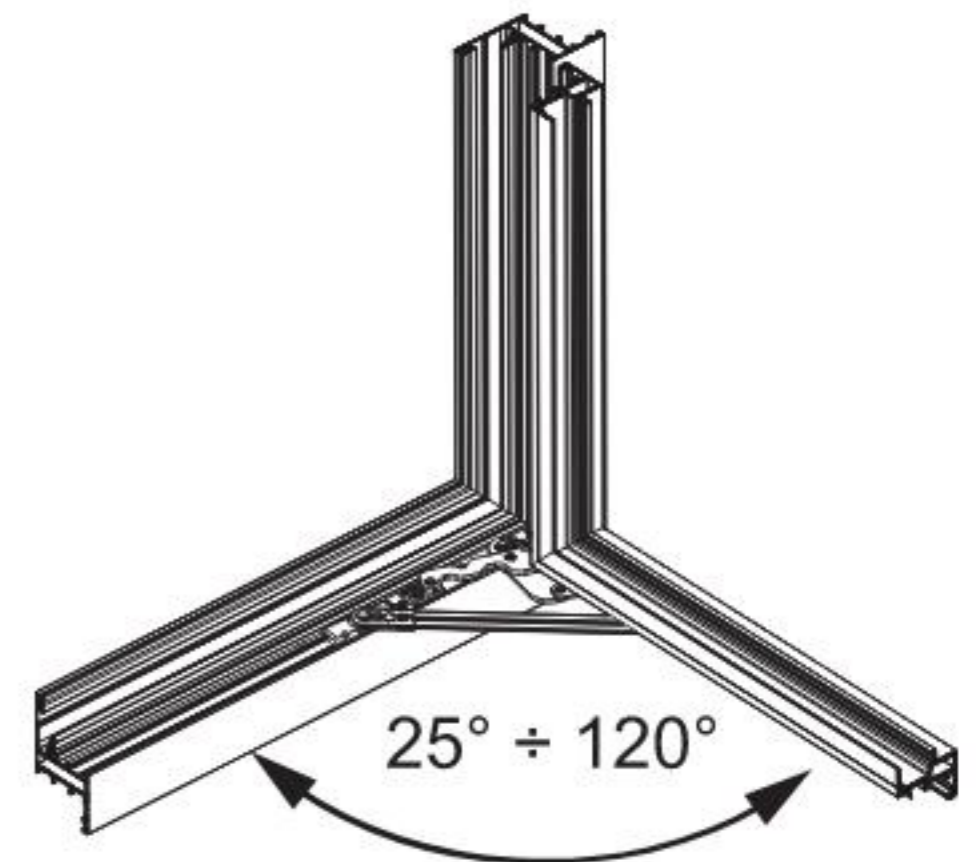
Mandatory to use the FRIZ arm



FRIZ arm positioning



Opening angle with FRIZ arm



Item code	Description	PROFILE CROSS - SECTION	Hand	Base Raw	Anodised Elox	Painted	Trend/Gold Brass	Pieces per pack
043541	CHIC - SASH HINGE SET	C001-C002-C003-C004-C005-C006	RX	X				10
043542	CHIC - SASH HINGE SET	C001-C002-C003-C004-C005-C006	LX	X				10



SASH HINGE SET FOR CHIC 3D 100

Functions

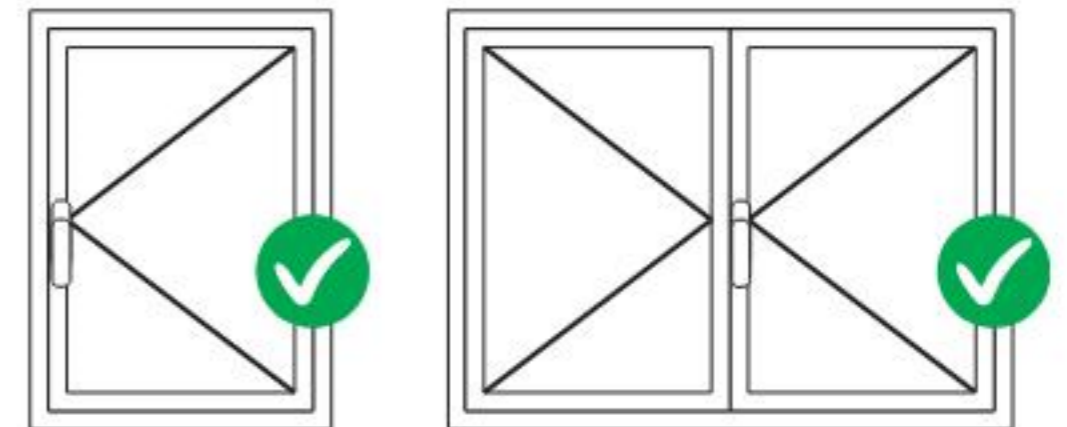
Set of hinges (top and bottom) for side-hung or secondary sash with tilt-and-turn CHIC 3D 100.

Technical Features

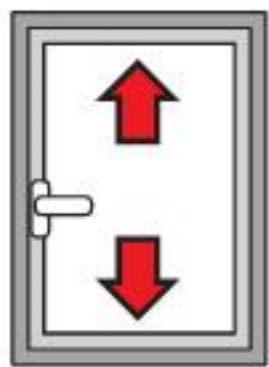
Sash opening to 180°. Maximum load capacity 100 kg. Assembly is simple, fast and easy using the special pre-assembled cams. When there is an additional fastening mechanism, you need to use the CHIC fastening element. Both hinges are adjustable (3D). If opening is obstructed, you need to use the FRIZ limitation arm. **CAUTION:** This hinge is designed to be used only on inward opening casements and is not suitable for outward opening casements.

Materials

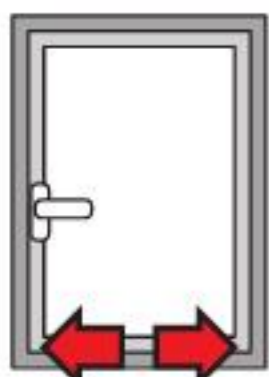
Corner support made of zamak
Connecting brackets and hinge plates made of zinc plated steel
Pins made of 304 grade stainless steel and aluminium bronze
Cams made of zinc plated steel



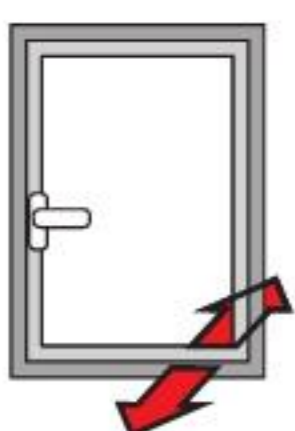
ADJUSTMENTS [mm]



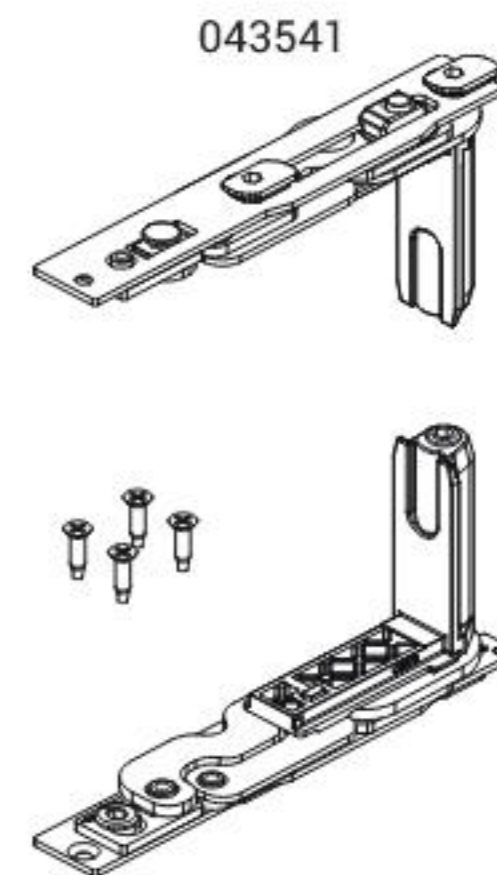
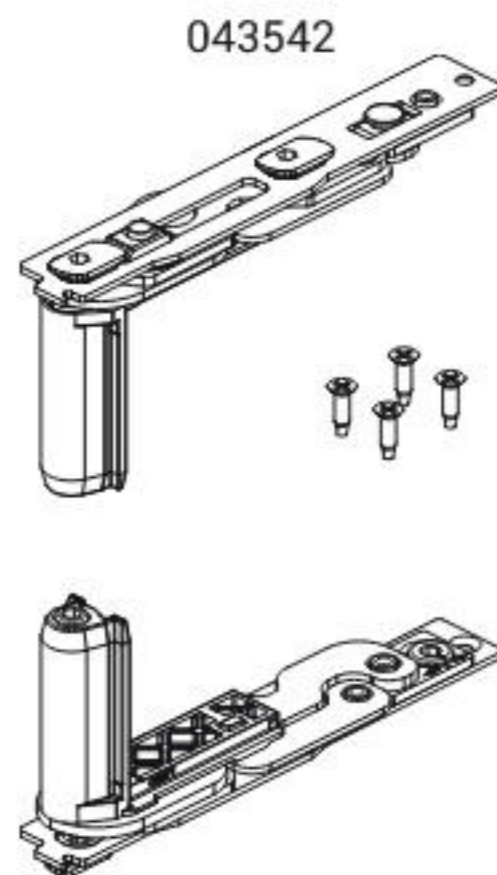
Height:
+2.5 / -1



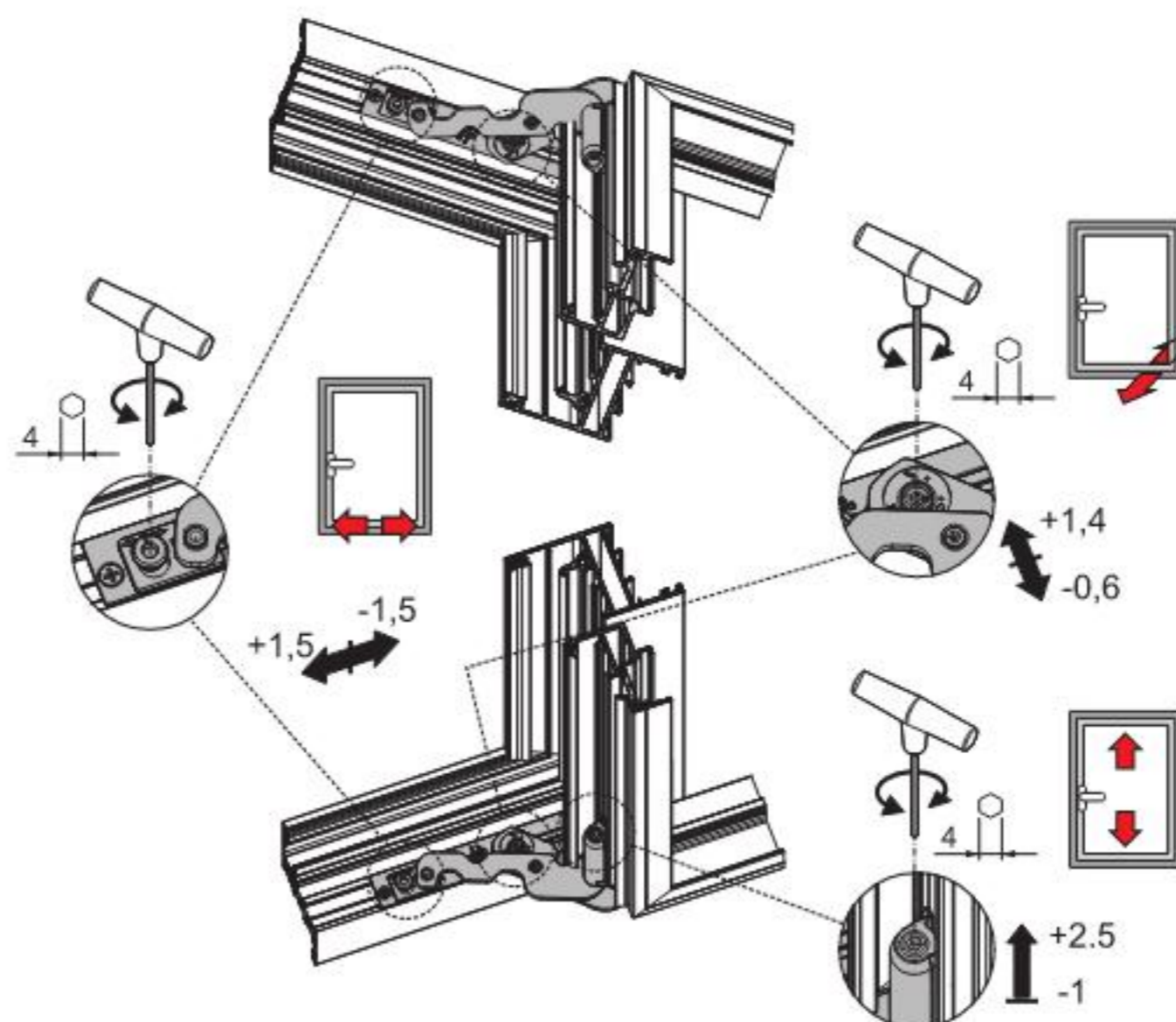
Side:
+1.5 / -1.5



Hinge compression:
+1.4 / -0.6



Adjustments



SASH HINGE SET FOR CHIC 3D 130

Functions

Set of hinges (top and bottom) for side-hung or secondary sash with tilt-and-turn CHIC 3D 130.

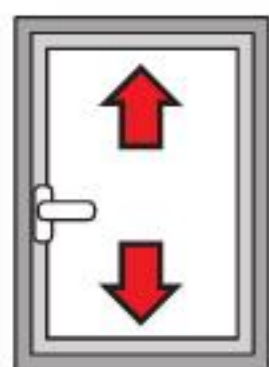
Technical Features

Sash opening to 180°. Maximum load capacity 130 kg. Assembly is simple, fast and easy using the special pre-assembled cams. When there is an additional fastening mechanism, you need to use the CHIC fastening element. Both hinges are adjustable (3D). If opening is obstructed, you need to use the FRIZ limitation arm. **CAUTION:** This hinge is designed to be used only on inward opening casements and is not suitable for outward opening casements.

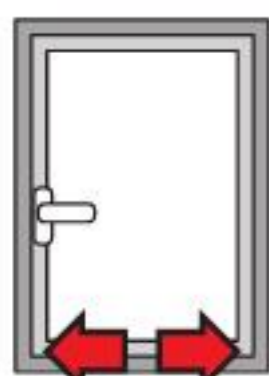
Materials

Corner support made of zamak
Connecting brackets and hinge plates made of zinc plated steel
Pins made of 304 grade stainless steel and aluminium bronze
Cams made of zinc plated steel

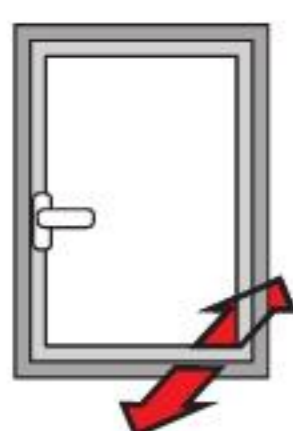
ADJUSTMENTS [mm]



Height:
+2.5 / -1

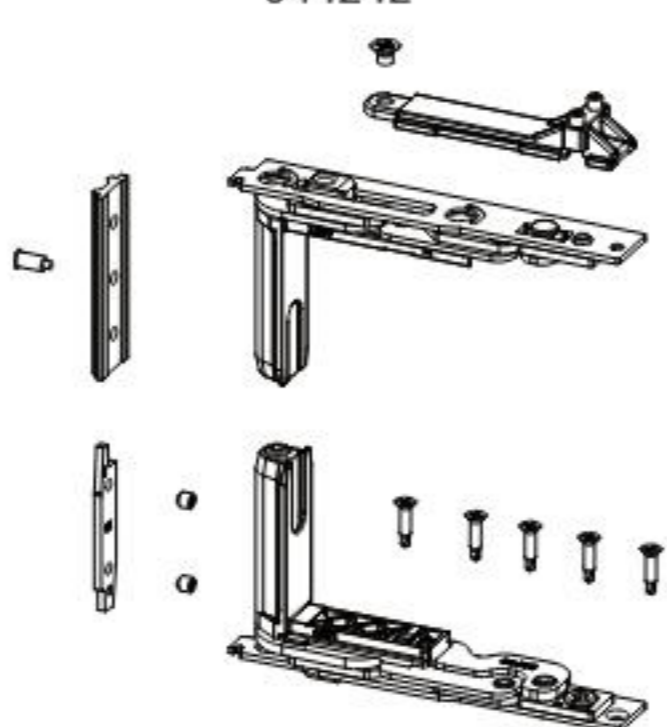


Side:
+1.5 / -1.5

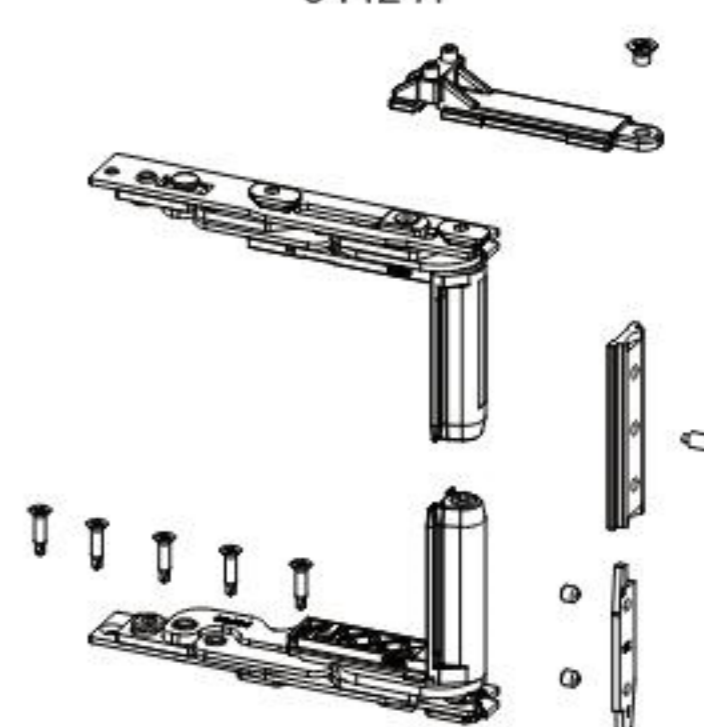


Hinge compression:
+1.4 / -0.6

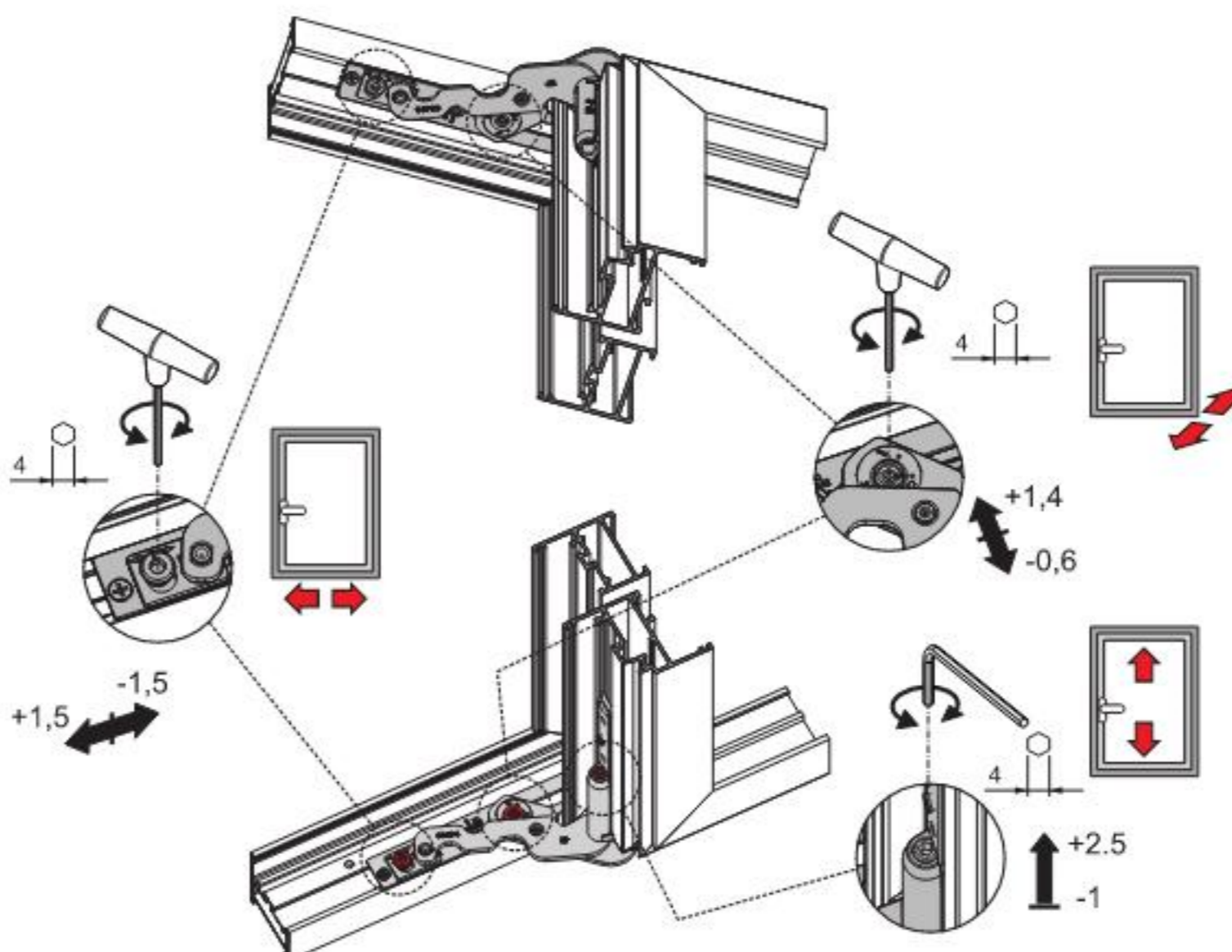
044242



044241



Adjustments



ערכת ציר סמוי



Functions

FUTURA 3D 170 HP Invisible hinge set (top and bottom) for side-hung sash or secondary sash combined with turn-and-tilt sash.

Technical Features

The product is designed for sash profiles with smooth channel. In the case of profiles with undercut channel, shims item 04406 (1.5 mm) or item 04407 (2 mm) must be used.

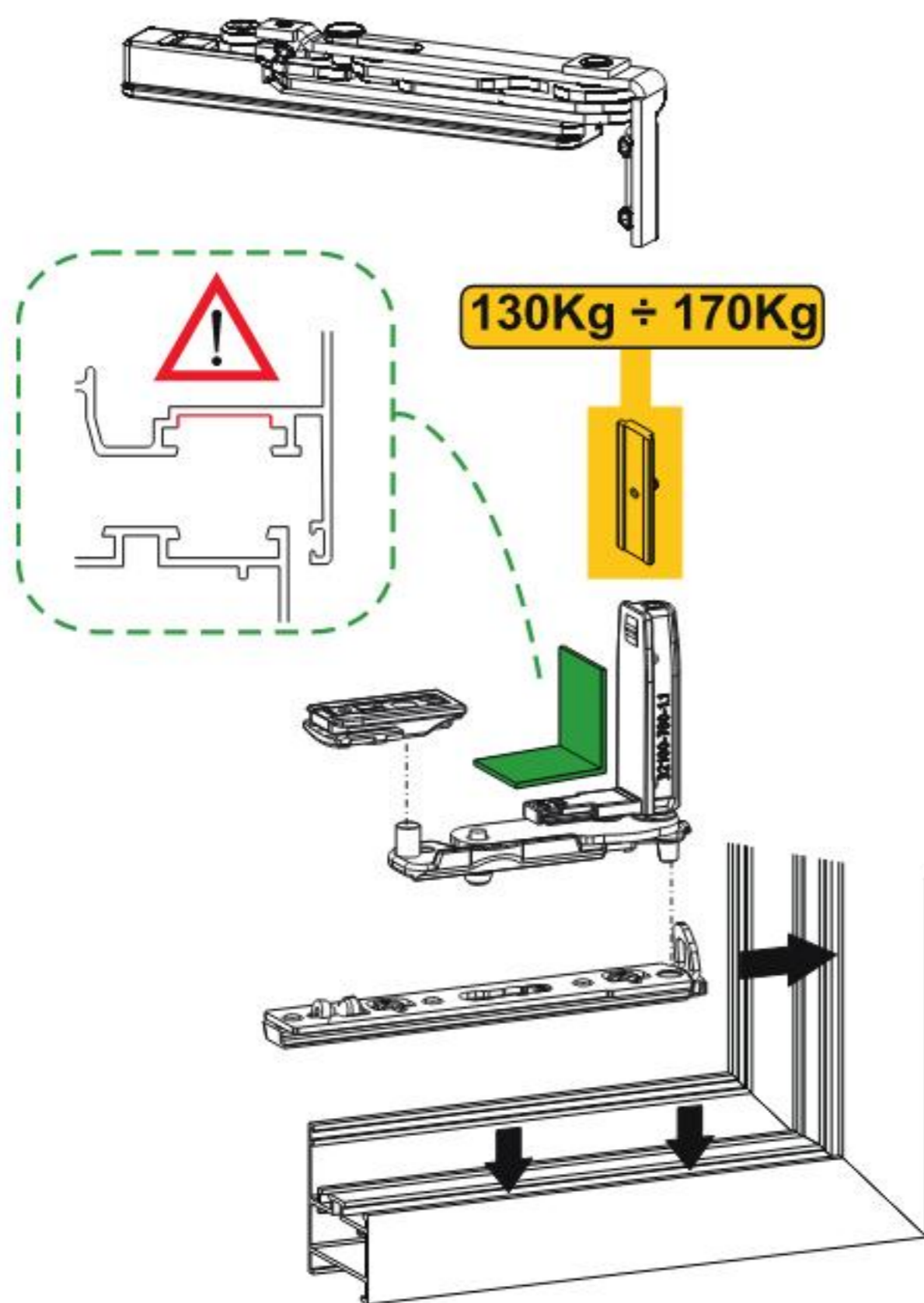
Materials

Hinge in stainless steel and zamak, pin and grub screws in stainless steel
Polyamide bushes

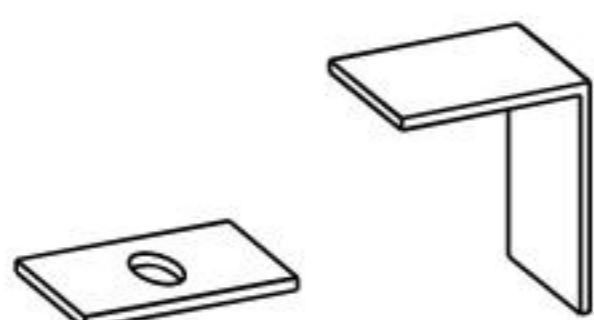
Capacities

The product has a nominal load capacity of 130 kg. For higher load capacities up to 170 kg, reinforcement kit item 04409 or item 04411 is required.

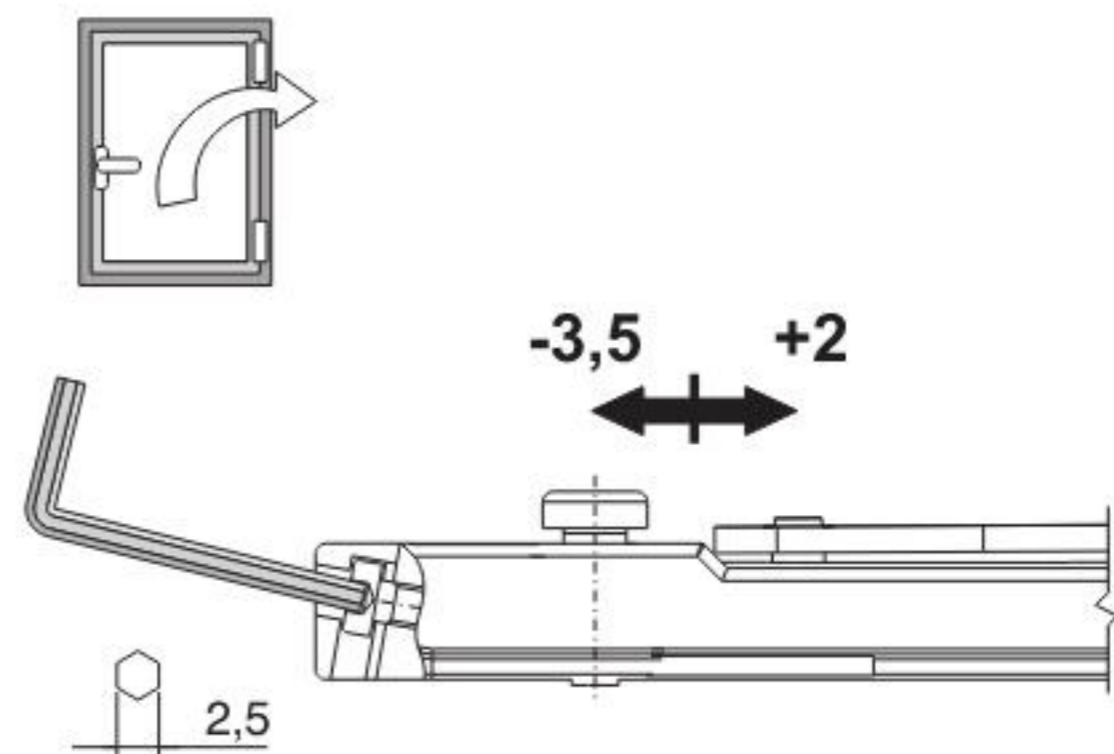
הרכבה



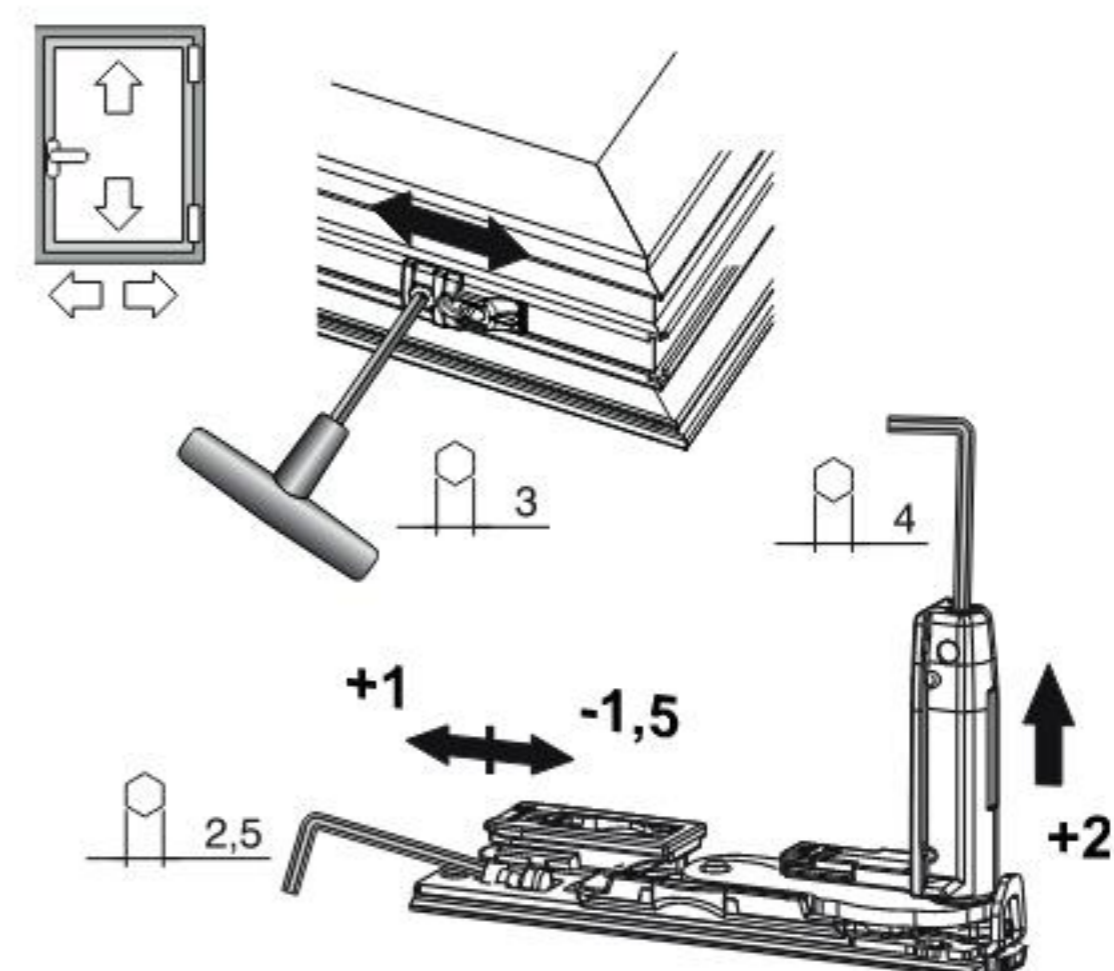
Shims for FUTURA 3D 170 HP Invisible



כיוון הטיית חלון



כוונון צדדי ואנכי





FLASH BASE 3-WING HINGE

Functions

Two-handed 3-wing hinge, for lightweight window and door fixtures made with channel profile.

Technical Features

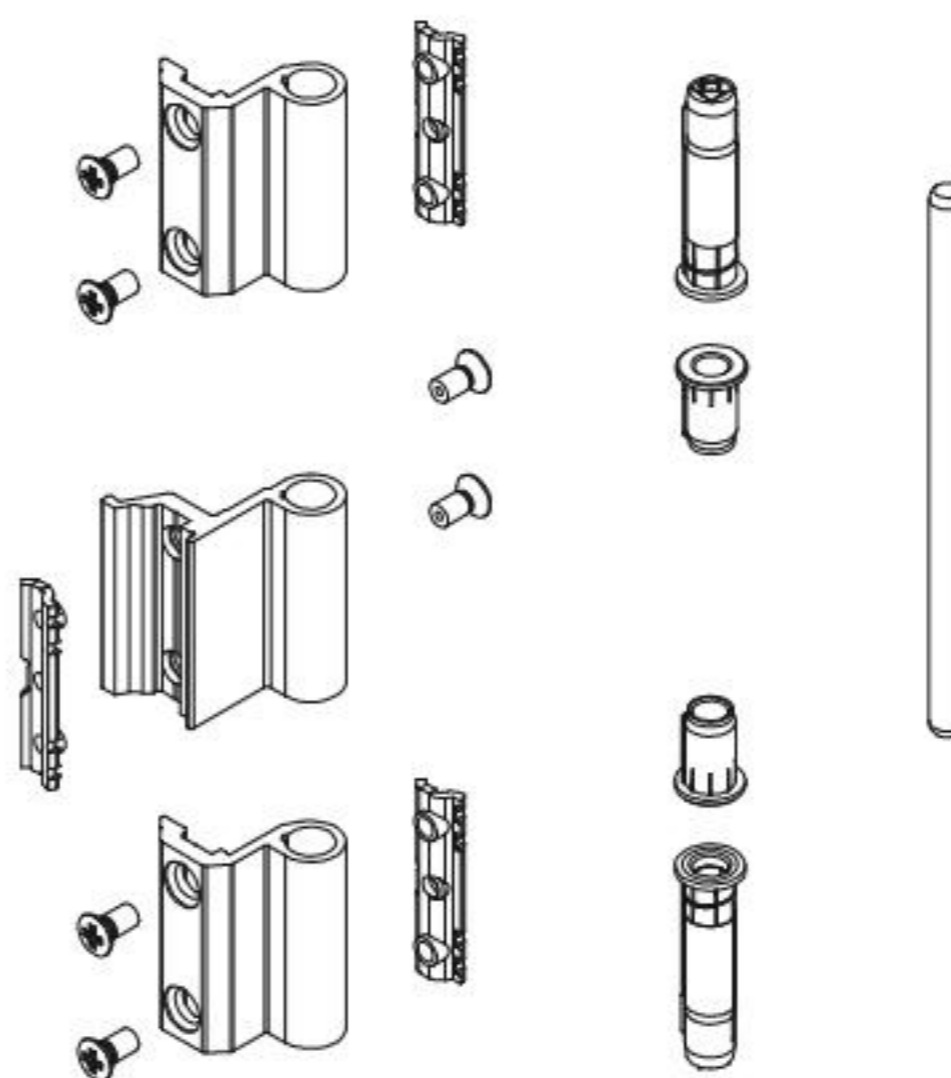
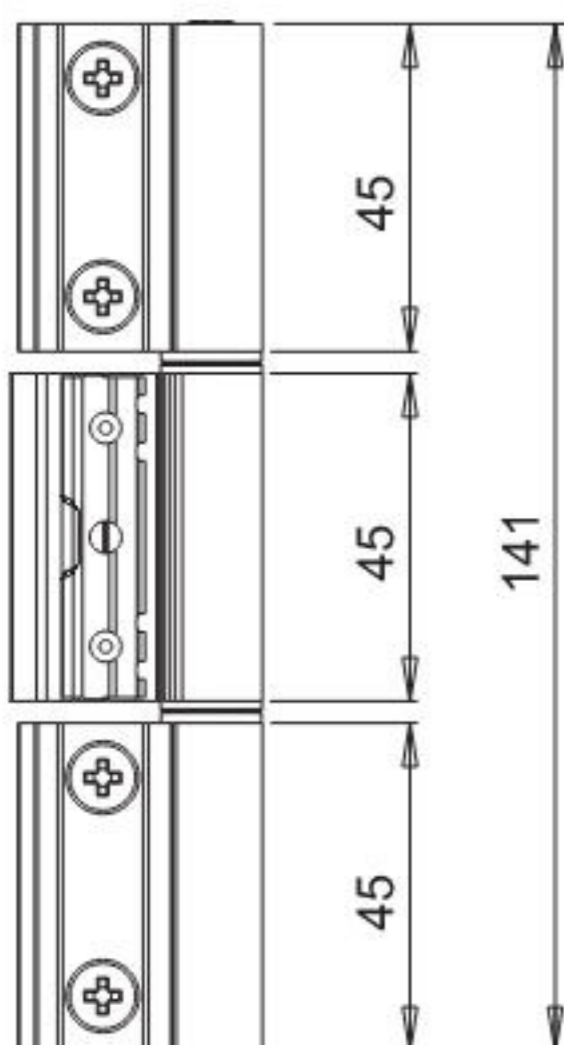
Two-handed three wing hinge, suitable for lightweight door fixtures and bottom hung or projecting type windows. Special fixing plates, preassembled with the hinge bodies (Giese RAPID system), enable fast installation and faultless positioning of the hinge on already assembled fixtures.

Materials

Extruded aluminium hinge bodies
Pin, fixing plates, screws and grub screw, all stainless steel
Acetal resin bushes

Capacities

85 kg with 2 hinges
100 kg with 3 hinges



Item code	Description	PROFILE CROSS - SECTION	Load capacity 2 hinges [kg]	Load capacity 3 hinges [kg]	Base Raw	Anodised Elox	Painted	Trend/Gold Brass	Pieces per pack
00103U	FLASH BASE 3-WING HINGE	C005	85	100	X				20
00115U	FLASH BASE 3-WING HINGE	C001	85	100	X				20
00119	FLASH BASE 3-WING HINGE	C001-C002-C013-C014-C015-C016-C017	85	100	X		X		20



FLASH BASE HINGES

Functions

Two-handed hinge for aluminium casement window and door fixtures with central gasket seal.

Technical Features

Supplied preassembled to enable fast installation and faultless positioning of the hinge on already assembled fixtures.

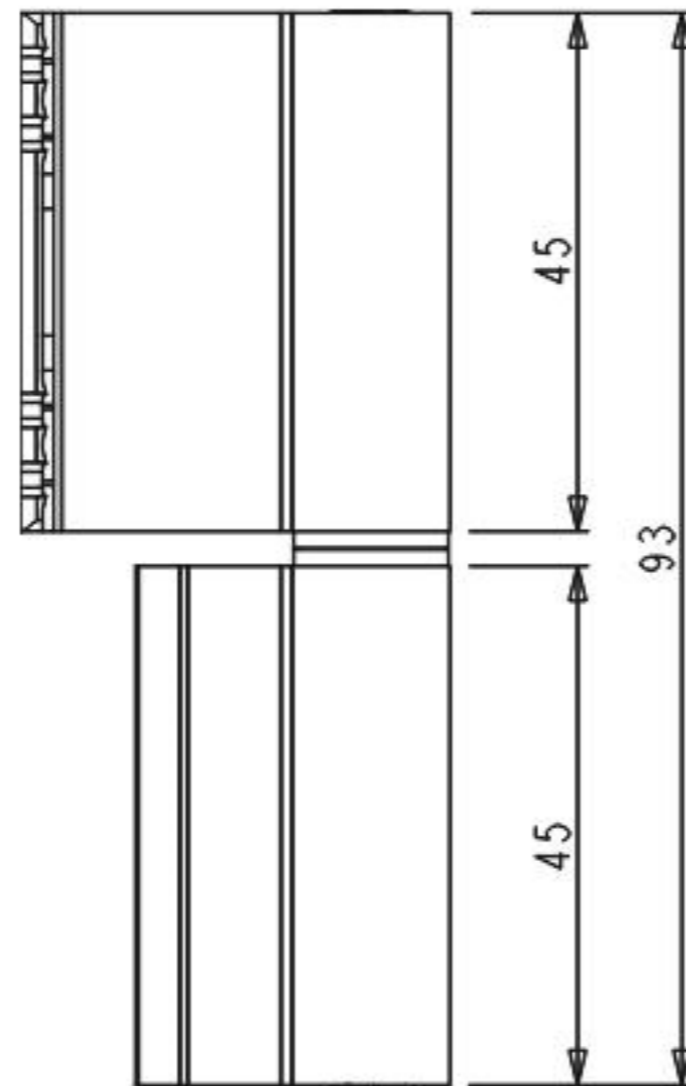
Special fixing plates, preassembled with the hinge bodies (Giesse RAPID system), enable fast installation and faultless positioning of the hinge on already assembled fixtures.

The FLASH BASE hinge is fitted extremely quickly to the sash and frame, even when the fixture has already been assembled.

The particular geometry of the hinge and of the plate enables swift and simple application to the already assembled fixture, and faultless positioning of the hinge when fixing the screws.

Hinges 00120 00122 00123 00128 and 00259 are certified to EN1935:2002 and classified for windows typified by average intensity of use (use category 2* - average use) with high resistance to fatigue and wear (durability grade 7* - 200,000 test cycles).

* Complies with EN 1935



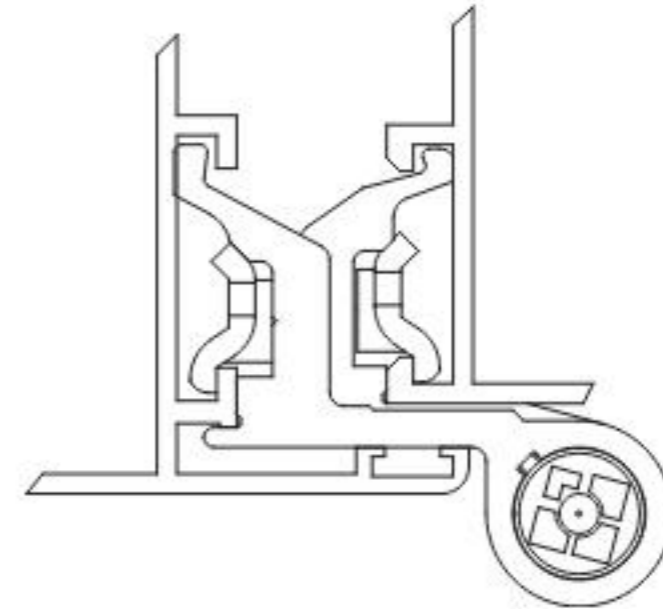
Materials

Extruded aluminium hinge bodies
Stainless steel pin, screws and fixing plates
Polyamide bushes

Capacities

With 2 FLASH BASE hinges: 75 kg
With 3 FLASH BASE hinges: 85 kg
assuming fixtures of 2000 mm height and 1000 mm width.

Side profile cross-section



third sash cross-section

