

ערכת ציר סמוי



Functions

FUTURA 3D 170 HP Invisible hinge set (top and bottom) for side-hung sash or secondary sash combined with turn-and-tilt sash.

Technical Features

The product is designed for sash profiles with smooth channel. In the case of profiles with undercut channel, shims item 04406 (1.5 mm) or item 04407 (2 mm) must be used.

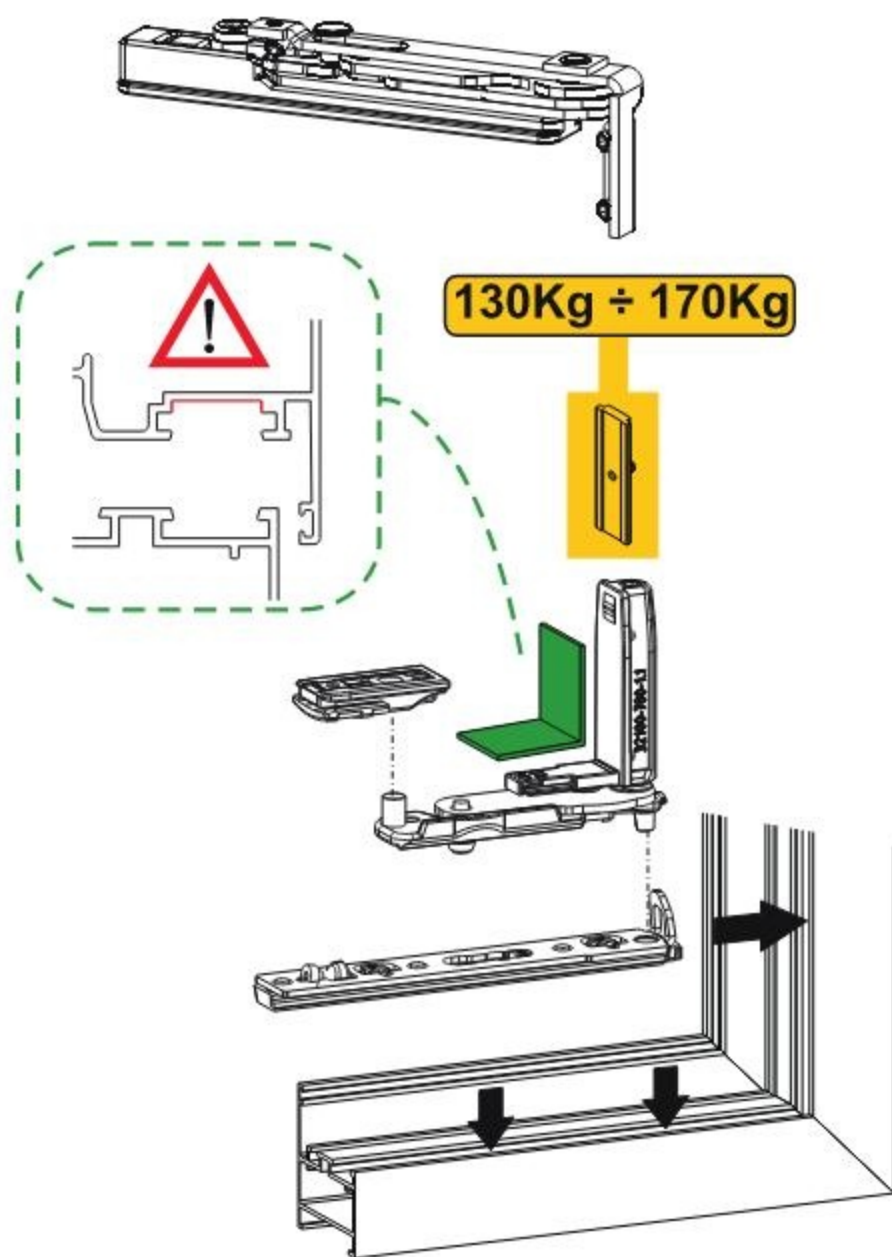
Materials

Hinge in stainless steel and zamak, pin and grub screws in stainless steel  
Polyamide bushes

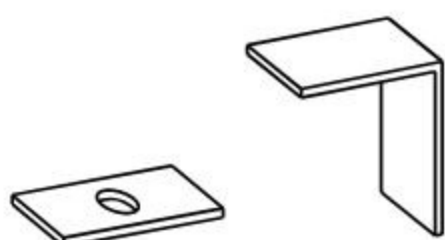
Capacities

The product has a nominal load capacity of 130 kg. For higher load capacities up to 170 kg, reinforcement kit item 04409 or item 04411 is required.

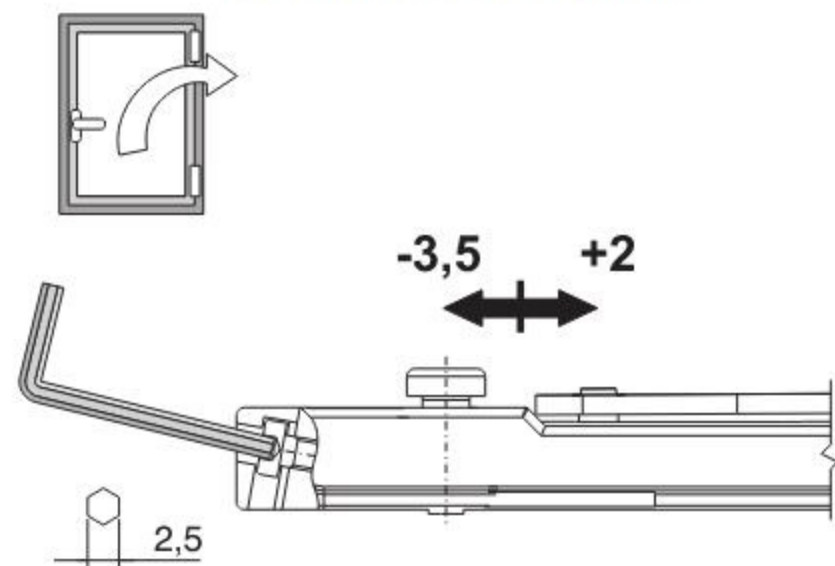
הרכבה



Shims for FUTURA 3D 170 HP Invisible



כיוון הטיית חלון



כוונון צדדי ואנכי

