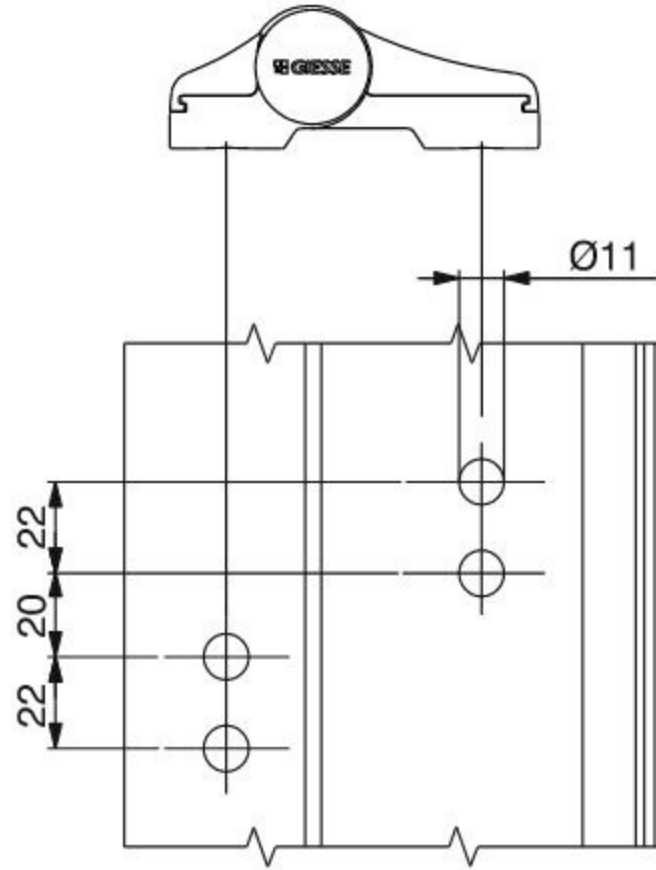
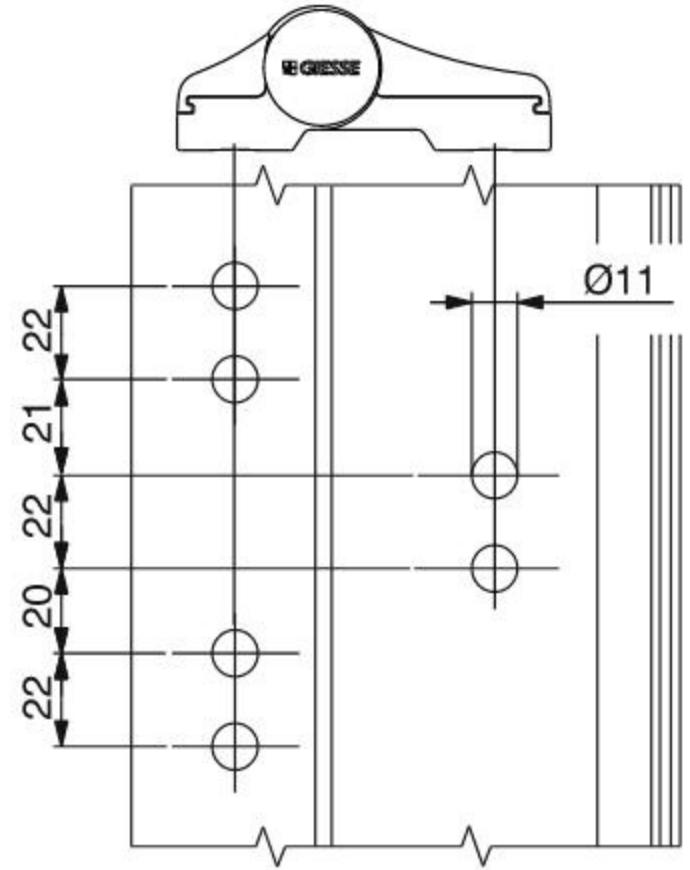


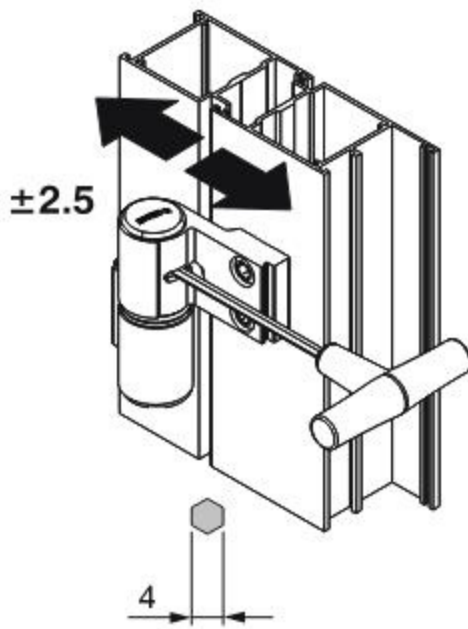
Machining on profile (2 wings)



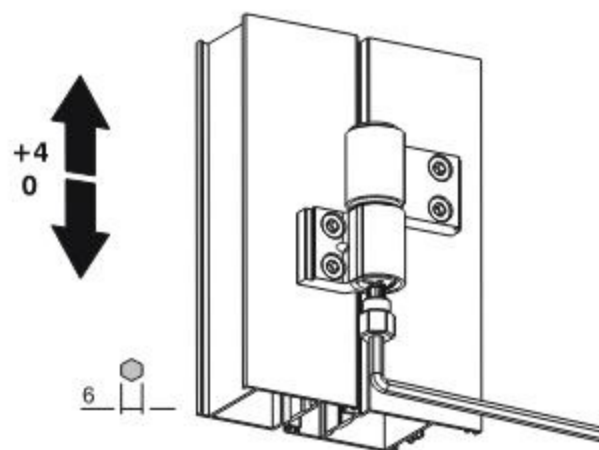
Machining on profile (3 wings)



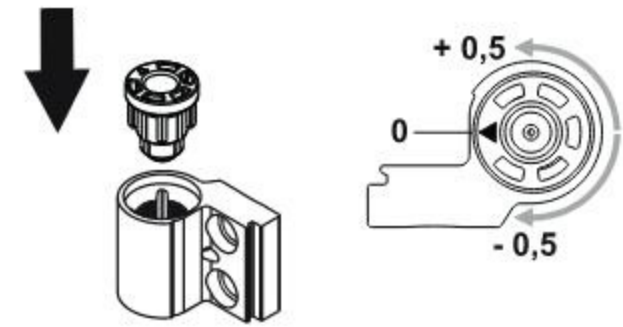
Side adjustment



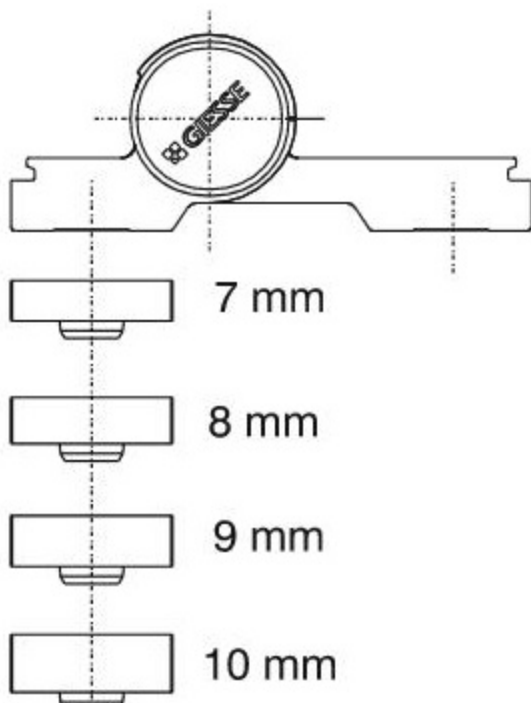
Height adjustment



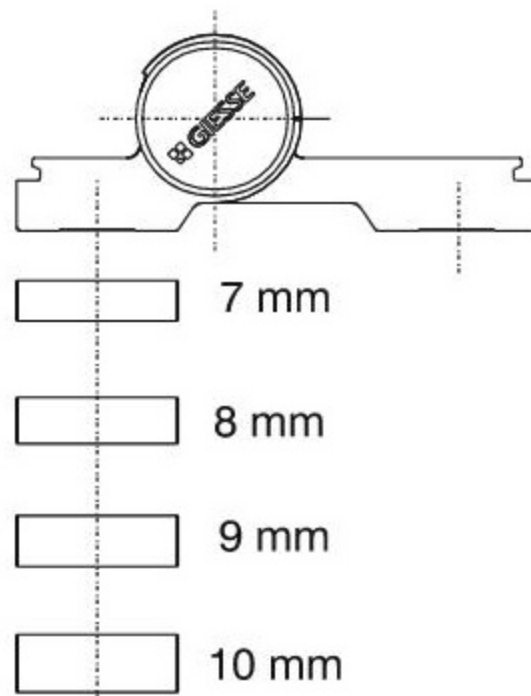
Compression adjustment



Steps with bushes



Steps without bushes



Use of locking clips

