



FLASH BASE 3-WING HINGE

Functions

Two-handed 3-wing hinge, for lightweight window and door fixtures made with channel profile.

Technical Features

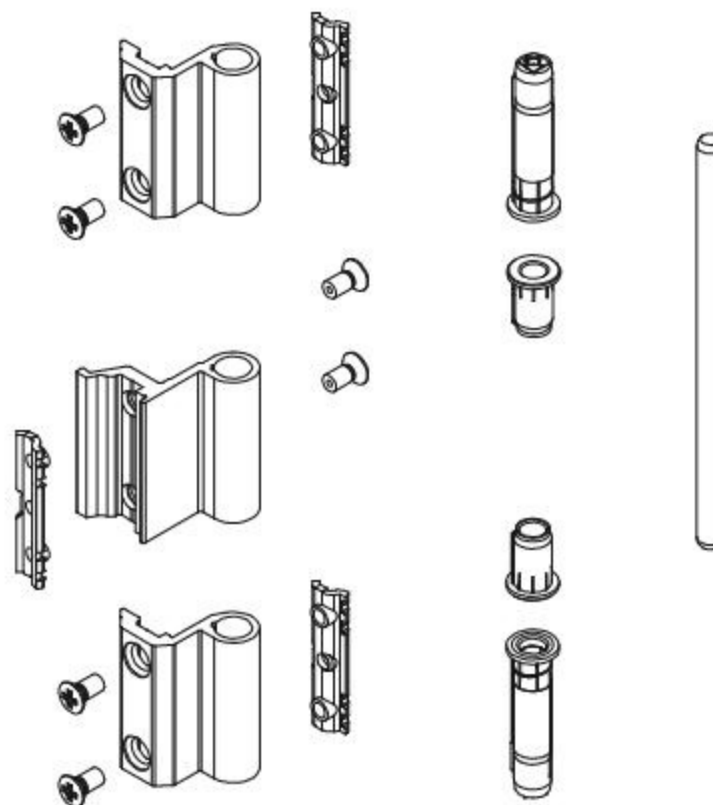
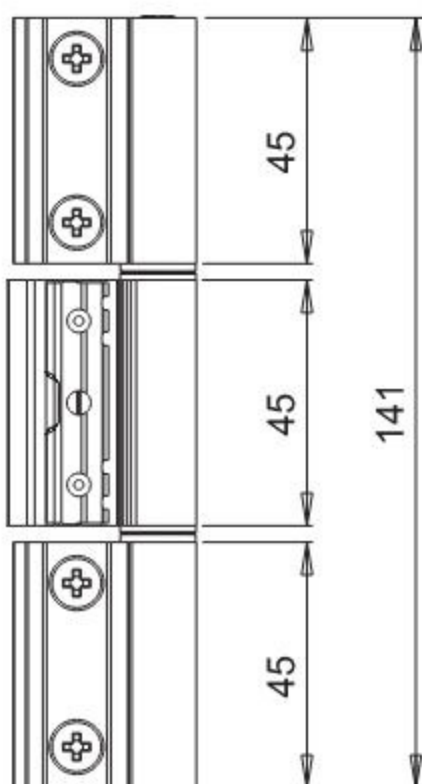
Two-handed three wing hinge, suitable for lightweight door fixtures and bottom hung or projecting type windows. Special fixing plates, preassembled with the hinge bodies (Giese RAPID system), enable fast installation and faultless positioning of the hinge on already assembled fixtures.

Materials

Extruded aluminium hinge bodies
Pin, fixing plates, screws and grub screw, all stainless steel
Acetal resin bushes

Capacities

85 kg with 2 hinges
100 kg with 3 hinges



Item code	Description	PROFILE CROSS - SECTION	Load capacity 2 hinges [kg]	Load capacity 3 hinges [kg]	Base Raw	Anodised Elox	Painted	Trend/Gold Brass	Pieces per pack
00103U	FLASH BASE 3-WING HINGE	C005	85	100	X				20
00115U	FLASH BASE 3-WING HINGE	C001	85	100	X				20
00119	FLASH BASE 3-WING HINGE	C001-C002-C013-C014- C015-C016-C017	85	100	X		X		20