

" סופרה 7 " שבלונה להתקנת ידיית



Functions

Drilling template for carrying out machining on the SUPRA 7 window handle.

Technical Features

The drilling template art. 03546 can be used for Euro groove (Euro groove central gasket) or R40 inward opening systems, by applying the two supplied pins in holes "A" or "B".

The drilling template art. 03547 is a universal template that can be applied to different types of systems (Sliding, Side Hung, Top Hung, Inward Swing, etc.) as it uses a 7 mm square pin, included in the supply, as reference point, to be inserted in the slot of the mechanism rotor.

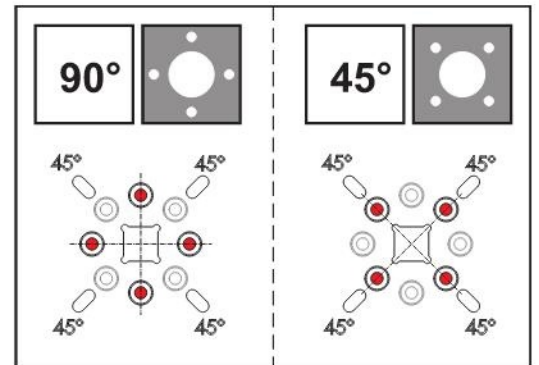
To improve machining precision, we recommend holding it in place using a clamp.

Materials

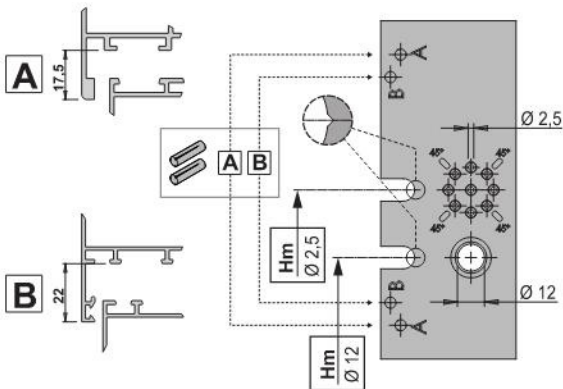
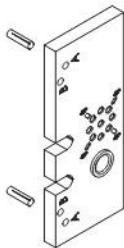
Art. 03546: Aluminium template body, Steel bushings

Art. 03547: Steel template body and square pin

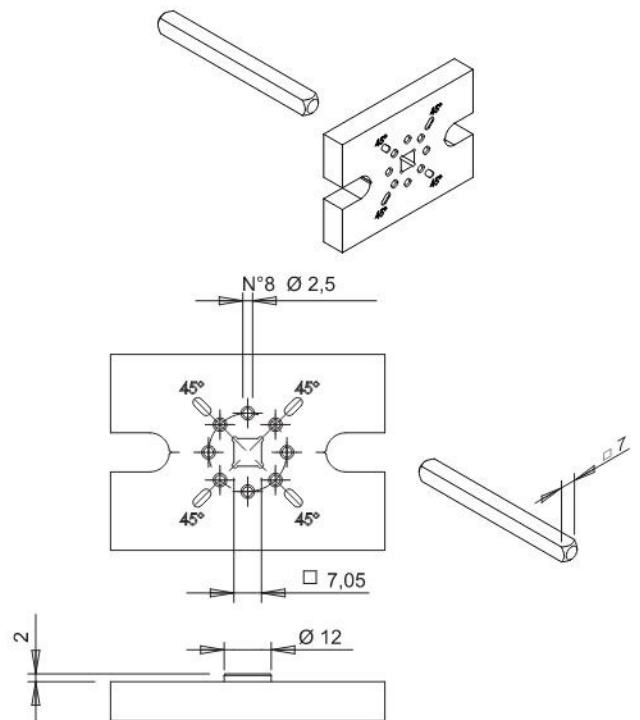
Possibility of 45° or 90° machining



03546



03547



Item code	Description	Note	Base Raw	Anodised Elox	Painted	Trend/Gold Brass	Pieces per pack
03546	SUPRA 7 DRILLING TEMPLATE	C.E.-R40	X				1
03547	SUPRA 7 UNIVERSAL TEMPLATE		X				1